

## UV1201 Series HD Integrated Zoom Camera

Full HD, Large Zoom Range, Multiple Video Interfaces

The UV1201 series camera offers perfect functions, superior performance and rich interfaces. The features include advanced ISP processing algorithms to provide vivid images with a strong sense of depth, high resolution, and fantastic color rendition. It supports H.264/H.265 encoding which makes motion video fluent and clear even under less than ideal bandwidth conditions.

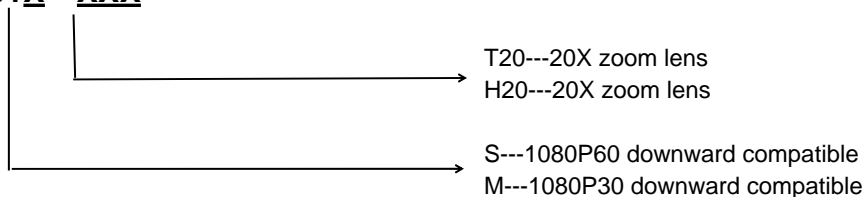


### Key Features

- **Superb High-definition Image**  
UV1201 employs 1/2.8 inch high quality CMOS sensor. Resolution is up to 1920x1080 with frame rate up to 60fps.
- **Leading Auto Focus Technology**  
Leading auto focus algorithm makes lens a fast, accurate and stable auto-focusing.
- **Low Noise and High SNR**  
Low Noise CMOS effectively ensure high SNR of camera video. Advanced 2D/3D noise reduction technology is also used to further reduce the noise, while ensuring image sharpness.
- **Multi-Format Video Outputs**  
Multiple interfaces include: HDMI, 3G-SDI and LAN. The 3G-SDI is available for 100m transmission at 1080p60 format.
- **Multiple Video Compression**  
Support H.264/H.264+ video compression; Support compression of resolution up to 1920x1080 with frame up to 60fps and 2 channels 1920x1080p with 30fps compression.
- **Multiple Network Protocol**  
Support ONVIF, RTSP, RTMP protocols and support RTMP push mode, easy to link streaming media server (Wowza, FMS)
- **Support Multiple Control Protocol.**  
Support VISCA, PELCO-D, PELCO-P protocols which can also be automatically recognized. Support Visca protocol control through IP port.
- **Wide Application**  
Tele-education, Lecture Capture, Webcasting, Videoconferencing, Tele-training, Tele-medicine, Interrogation and Emergency command systems.

### Order No

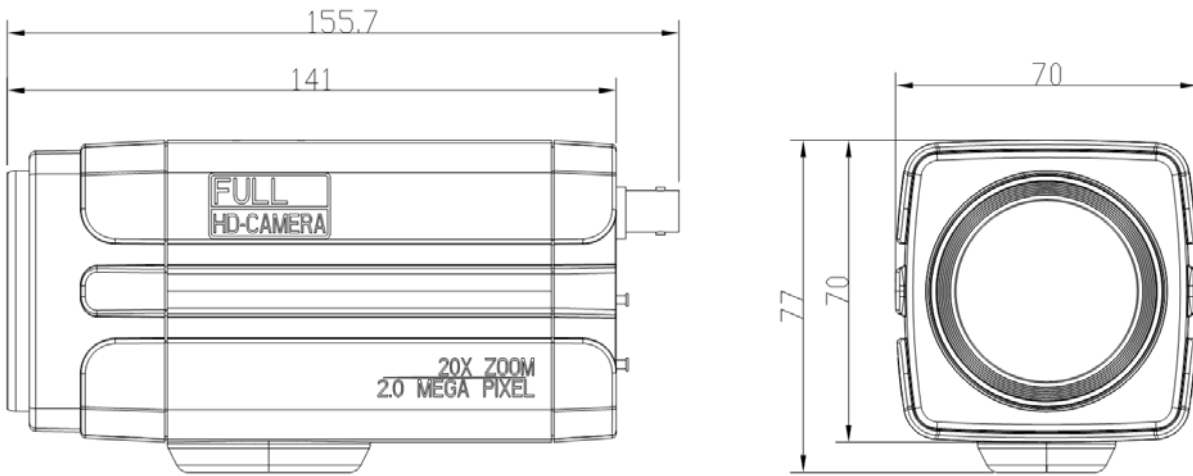
**UV1201X—XXX**



## Technical Specification

Model	UV1201-S20	UV1201-T20
<b>Camera Parameter</b>		
Sensor	1/2.8 inch high quality HD CMOS sensor	
Effective Pixels	16: 9, 2.07 megapixel	
Video Format	1080P60/50/30/25/59.94/29.97;1080I60/50/59.94; 720P60/50/30/25 /59.94/29.97	
Optical Zoom	20X optical zoom, f=5.2~98mm	20X optical zoom, f=4.7~94mm
View Angle	5.5°(tele)--54.7°(wide)	2.9°(tele)--55.4°(wide)
Aperture	F1.6 ~ F3.5	F1.6 ~ F3.5
Digital Zoom	10X	
Minimum Illumination	0.5Lux (F1.8, AGC ON)	
DNR	2D & 3D DNR	
White Balance	Auto / Manual/ One Push/ 3000K/ 4000K/5000K/6500K	
Focus	Auto/Manual	
Aperture	Auto/Manual	
Electronic Shutter	Auto/Manual	
BLC	ON/OFF	
WDR	OFF/ Dynamic level adjustment	
Video adjustment	Brightness,Color,Saturation,Contrast,Sharpness,B/W mode,Gamma curve	
SNR	>55dB	
<b>Input/output Interface</b>		
Video Interfaces	HDMI,3G-SDI	
Image Code Stream	Dual stream output	
Video Compression Format	H.264, H.265	
Control Protocol	Protocol:VISCA/Pelco-D/Pelco-P; Baud Rate: 115200/9600/4800/2400bps	
HD IP Interface	100M IP port (10/100BASE-TX),Support Visca protocol control through IP port.	
Network Protocol	RTSP/RTMP, ONVIF	
Power Interface	5.0 Card line socket (DC12V)	
<b>Other Parameter</b>		
Power Adaptor	AC110V-AC220V to DC12V/1A	
Input Voltage	DC12V±10%	
Input Current	400mA(Max)	
Consumption	4.8W (Max)	
Store Temperature	-10℃ ~ +60℃	
Store Humidity	20% - 95%	
Working Temperature	-10℃ ~ +50℃	
Working Humidity	20%--80%	
Dimension	155.7mmX70mmX70mm	
Weight	0.7KG	
Application	Indoor	
Remote Operation (IP)	Remote Upgrade, Reboot and Reset	
Accessory	12V/1A Power supply,User Manual,Warranty card,brackets(optional)	

**Dimension (mm)**



**Distributed by RMA Electronics, Inc.**



[www.rmaelectronics.com](http://www.rmaelectronics.com)