

MVL-MY-x-1xx-MP Series

MV 2/3" Telecentric Lenses

- Telecentric Lenses
- 2/3" (11 mm) Sensors
- C-Mount
- Variety of Amplification Factors Available

Hikvision's MVL-MY-x-1xx-MP Series of telecentric lenses offer high quality 2/3" (11 mm) sensors in a variety of amplification factors for any machine vision use.

Available Models

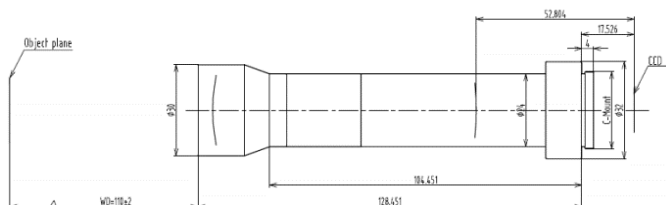
MVL-MY-1-110-MP:	1.000 amplification factor
MVL-MY-2-110-MP:	2.000 amplification factor
MVL-MY-4-110-MP:	4.000 amplification factor
MVL-MY-05-110-MP:	0.500 amplification factor
MVL-MY-07-145-MP:	0.700 amplification factor
MVL-MY-08-130-MP:	0.800 amplification factor



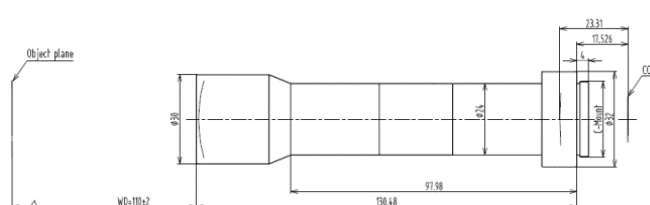
Specifications

	MVL-MY-1-110-MP	MVL-MY-2-110-MP	MVL-MY-4-110-MP	MVL-MY-05-110-MP	MVL-MY-07-145-MP	MVL-MY-08-130-MP
Amplification Factor	1.000	2.000	4.000	0.500	0.700	0.800
Object NA	0.045	0.074	0.009	0.027	0.023	0.036
Image Format	Φ1/2" (Φ11 mm)					
TV Distortion	0.000	0.0005	0.0005	0.0005	0.001	0.001
Lamp Connector	-					
Operating Temperature	14° to 122° F (-10° to 50° C)					
Field of View D/H/V	1/3"	8 mm/6.4 mm/4.8 mm	4 mm/3.2 mm/2.4 mm	2 mm/1.6 mm/1.2 mm	16 mm/12.8 mm/9.6 mm	11.4 mm/9.1 mm/6.9 mm
	2/3"	11 mm/8.8 mm/6.6 mm	5.5 mm/4.4 mm/3.3 mm	2.75 mm/2.2 mm/1.65 mm	22 mm/17.6 mm/13.2 mm	15.7 mm/12.6 mm/9.4 mm
Specification	HD telecentric lens					
Mount	C-mount					
Telecentricity	0.1°					
Flange Length	.69 in (17.526 mm)			.6997 in (17.543 mm)		.69 in (17.526 mm)
Working Distance	4.33 in (110 mm)					
Dimensions	Φ1.26 x 5.06 in	Φ1.26 x 5.137 in	Φ1.18 x 4.99 in	Φ1.38 x 4.74 in	Φ1.10 x 4.35 in	Φ1.10 x 4.61 in
	(Φ32 x 128.451 mm)	(Φ32 x 130.48 mm)	(Φ30 x 126.77 mm)	(Φ35 x 120.5 mm)	(Φ28 x 110.4 mm)	(Φ28 x 117.1 mm)
Object to Image Distance	10.08 in (255.977 mm)	10.16 in (258.006 mm)	10.01 in (254.296 mm)	9.77 in (248.043 mm)	10.75 in (272.926 mm)	10.42 (264.626 mm)

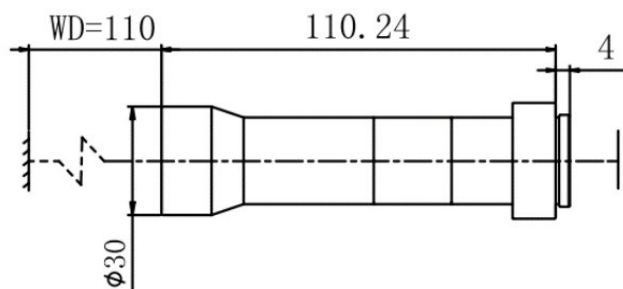
Dimensions



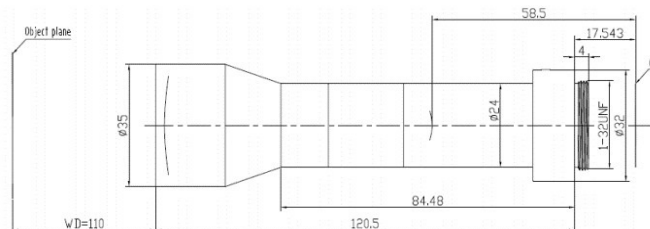
MVL-MY-1-110-MP



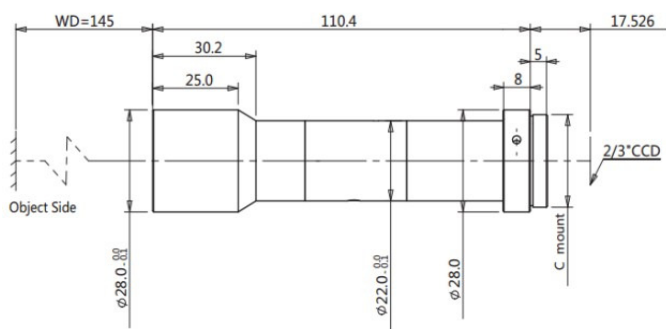
MVL-MY-2-110-MP



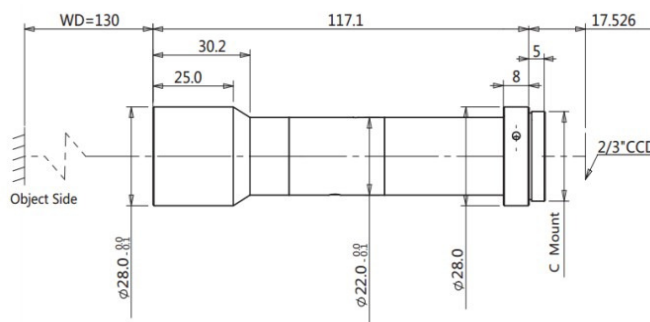
MVL-MY-4-110-MP



MVL-MY-05-110-MP



MVL-MY-7-145-MP



MVL-MY-8-130-MP