

MV-CA050-20UM/UC

5.0 MP 1" CMOS USB 3.0 Camera

- USB 3.0
- 3 Gbps bandwidth
- Auto Exposure Control, LUT, Gamma Correction
- Synchronize Cameras with Hard/Soft Trigger
- Multiple Exposure Modes
- Enhanced Color w/Auto White Balance
- USB 3.0 Vision (v1.0) Compliant

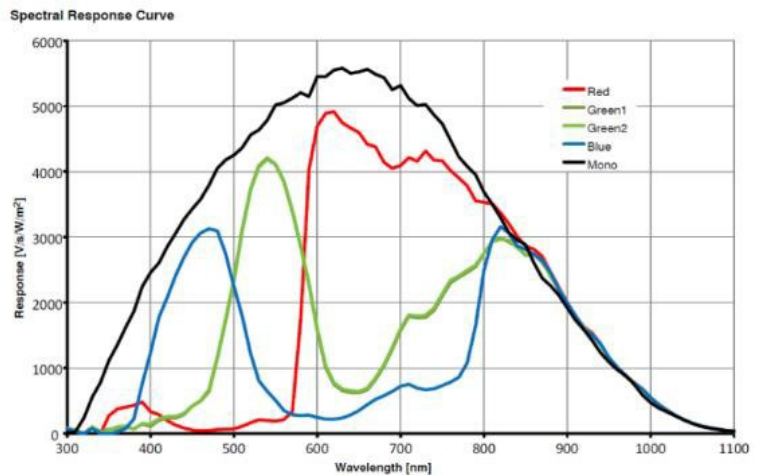


The Hikvision MV-CA050-20UM/UC 5.0 MP 1" CMOS USB 3.0 Camera is a high quality device that can be used in a variety of applications, including factory automation, logistics code scanning, quality inspection, and electronic semiconductor fabrication.

Available Models: MV-CA050-20UM: mono
MV-CA050-20UC: color



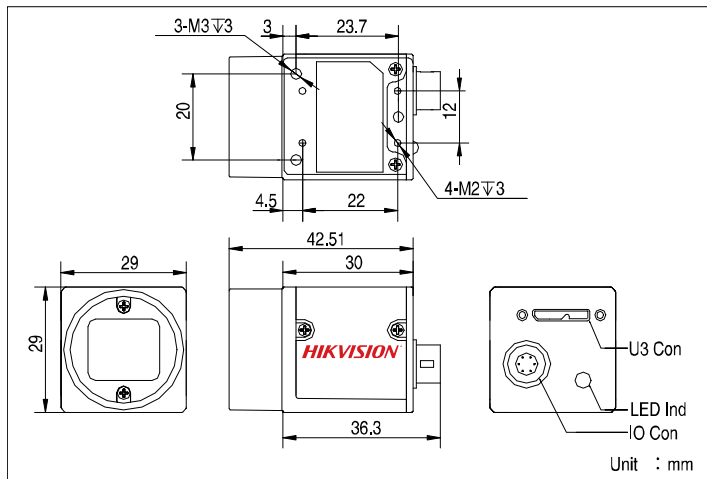
Quantum Efficiency



Specifications

	MV-CA050-20UM	MV-CA050-20UC
Camera		
Type	5.0 MP 1" CMOS USB 3.0 camera	
Sensor	Python 5000, 1" CMOS	
Shutter	Global shutter	
Resolution	2592 × 2048	
Pixel Size	4.8 μm × 4.8 μm	
Frame Rate	60 fps @ 2592 × 2048	30 fps @ 2592 × 2048
Dynamic Range	>60 dB	
SNR	>40 dB	
Gain Range	0 to 15 dB	0 to 10 dB
Exposure Time	8 μs to 10 sec	16 μs to 10 sec
Shutter Mode	Global shutter: auto-exposure, manual exposure, one-key exposure	
Network	USB 3.0	
General Purpose I/O	Opto-isolated input x 1, opto-isolated output x 1, bi-directional non-isolated I/O x 1	
Data Format	Mono 8/10/10p/12/12p	Mono 8/10/12, Bayer BG 8/10/10p/12/12p, YUV422 (UYVY), YUV422, RGB 8
General		
Power	<3.5 W @ 12 VDC, voltage 5 to 15 VDC, USB 3.0 power supply	
Temperature	Working temperature: 32° to 122° F (0° to 50° C) Storage temperature: -22° to 158° F (-30° to 70° C)	
Dimension	1.14" x 1.14" x 1.18" (29 mm × 29 mm × 30 mm)	
Weight (Approximate)	1.98 ozs (56 g)	
Lens Interface	C-mount	
Software	MVS or third-party software supporting USB 3.0 Vision protocol	
Operating System	Windows XP/7/8 32-/64-bit	
Compliance	USB 3.0 Vision v1.0	
Certification	CE, FCC, RoHS	

Dimensions



Recommended Accessories

- **Power:** 12 VDC @1A power adapter
- **Cable:** Micro USB 3.0 cable recommended