

## MV-CA013-21UM/UC

1.3 MP, 1/2" CMOS USB 3.0 Camera

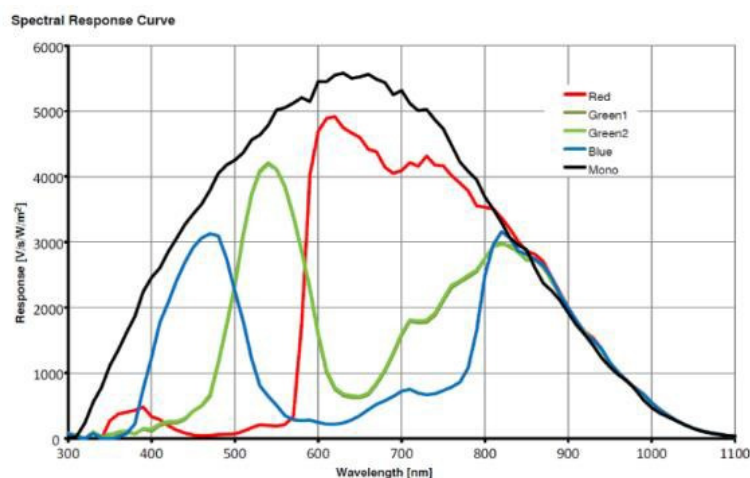
- USB 3.0 (3 Gbps Bandwidth)
- Auto Exposure Control, LUT, Gamma Correction
- Synchronize Cameras with Hard/Soft Trigger
- Multiple Exposure Modes
- USB 3.0 Vision (v1.0) Compliant



The Hikvision MV-CA013-21UM/UC 1.3 MP 1/2" CMOS USB 3.0 Camera is a high quality device that can be used in a variety of applications, including electronic semiconductor fabrication, factory automation, food and beverage inspection, and medicine package inspection.

**Available Models:** Mono: MV-CA013-21UM  
Color: MV-CA013-21UC

### MV-CA013-21UM/UC Quantum Efficiency

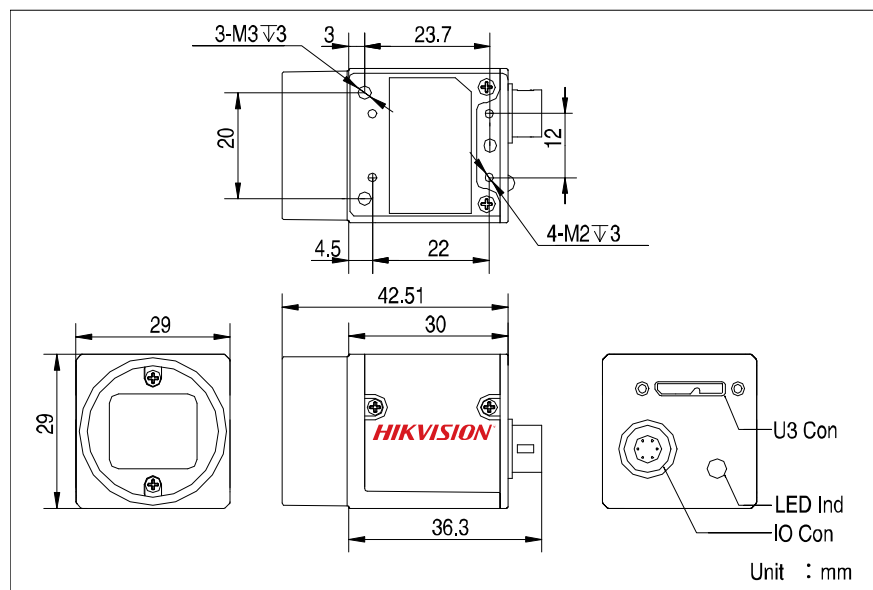


MV-CA013-21UM/UC Quantum Efficiency

## Specifications

	MV-CA013-21UM	MV-CA013-21UC
<b>Camera</b>		
Type	1.3 MP; 1/2" CMOS USB 3.0 camera	
Sensor	OnSemi Python1300, 1/2" CMOS	
Shutter	Global shutter	
Resolution	1280 × 1024	
Pixel Size	4.8 μm × 4.8 μm	
Frame Rate	170 fps @ 1280 × 1024, Mono 8	170 fps @ 1280 × 1024, Mono 8 90 fps @ 1280 × 1024, YUV 90 fps @ 1280 × 1024, Bayer 8
Dynamic Range	>60 dB	
SNR	>40 dB	
Gain Range	0 to 15 dB	
Exposure Time	6 μs to 10 sec	11 μs to 10 sec
Shutter Mode	Global shutter: auto-exposure, manual exposure, one-key exposure	
Network	USB 3.0	
General Purpose I/O	Opto-isolated input x 1, opto-isolated output x 1 Bi-directional non-isolated I/O x 1	
Image Buffer	128 MB	
Data Format	Mono 8/10/10p/12/12p	Mono 8/10/12, Bayer RG 8/10/10p/12/12p, YUV422, YUV422 (UYVY), RGB 8
<b>General</b>		
Power	Approximately 3 W @ 12 VDC, voltage: 5 to 15 VDC, PoE	
Temperature	Working temperature: 32° to 122° F (0° to 50° C) Storage temperature: -22° to 158° F (-30° to 70° C)	
Dimensions	1.14" x 1.14" x 1.18" (29 mm × 29 mm × 30 mm)	
Weight	Approximately 21.98 oz (56 g)	
Lens Interface	C-mount	
Software	MVS or third-party software supporting USB 3.0 protocol	
Operating System	Windows XP/7/8 32-/64-bit	
Compliance	USB 3.0 Vision v1.0	
Certification	CE, FCC, RoHS	

## Dimensions



## Recommended Accessories

- **Power Adapter:** 12 VDC @ 1 A
- **NIC:** Intel Pro1000 and above version
- **Network Cable:** CAT5e or CAT6 network cable