

MV-CA013-20GN

1.3MP, 1/2" CMOS, Near-Infrared GigE Camera



The Hikvision MV-CA013-20GN 1.3 MP 1/2" CMOS Near-Infrared GigE Camera is a high quality device that can be used in a variety of applications, including electronic semiconductor fabrication, factory automation, quality inspection.

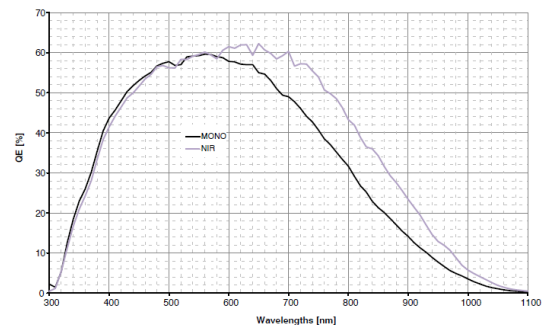
Key Features

- Gigabit Ethernet interface providing 1Gbps bandwidth; Transmitting distance can be 100m without relaying.
- 128MB on-board buffer, for image burst transmitting and retransmitting.
- Support auto exposure control, LUT and Gamma correction.
- Cameras can be synchronized with hard trigger and soft trigger.
- Different exposure modes can be used to capture image.
- Embed special color interpolation algorithm which reproduces color performance better and supports auto white balance function.
- Compliant with GigE Vision V1.2, can be supported by third party software.

Application Scenarios

- Electronic semiconductor
- Factory automation
- Quality Inspection

Spectral Response



MV-CA013-20GN Quantum Efficiency

Order Model

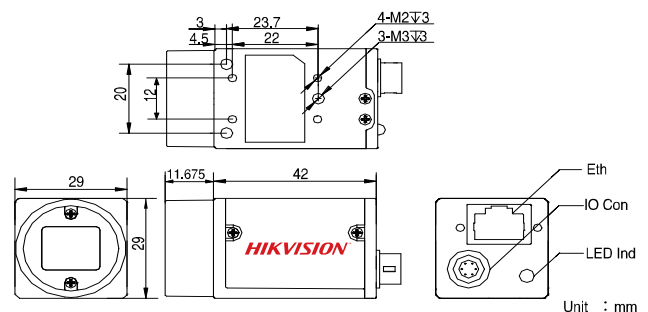
Near-Infrared: MV-CA013-20GN



Specifications

Model	MV-CA013-20GN
Parameters	1.3MP, 1/2" CMOS, Near-Infrared GigE Camera
Camera	
Sensor	PYTHON 1300
Pixel Size	4.8μm×4.8μm
Sensor Size	1/2"
Resolution	1280×1024
Frame Rate	90fps
Dynamic Range	>60dB
SNR	>40dB
Gain Range	0-15dB
Exposure Time	10μs-10sec
Shutter Mode	Global Shutter. Auto-Exposure, Manual Exposure, One-key Exposure
Data Interface	Gigabit Ethernet
General Purpose I/O	Opto-isolated input x1, Opto-isolated output x1, Bi-directional non-isolated I/O x1
Image Buffer	128MB
Data Format	Mono 8/10/10p/12/12p
General	
Power	Approx. 2.6W@12VDC, Voltage 5~15VDC, PoE supported
Temperature	Working Temperature 0~50°C, Storage Temperature -30~70°C
Dimension	29mm×29mm×42mm
Weight	Approx. 68g
Lens Interface	C-Mount
Software	MVS or Third-Party Software supporting GigE Vision Protocol
Operating System	Windows XP/7/10 32/64bits
Compliance	GigE Vision
Certification	CE, FCC, RoHS

Dimensions



Recommended Accessories

- **Power:** 12VDC @1A power adapter
- **NIC:** Intel Pro1000 and above version recommended
- **Network Cable:** CAT5e or CAT6 network cable recommended