

MV-CA003-21UM/UC 0.3MP, 1/4" CMOS, USB 3.0 Camera

USB™
VISION



The Hikvision MV-CA003-21UM/UC 0.3 MP 1/4" CMOS USB 3.0 Camera is a high quality device that can be used in a variety of applications, including electronic semiconductor fabrication, factory automation, quality inspection.

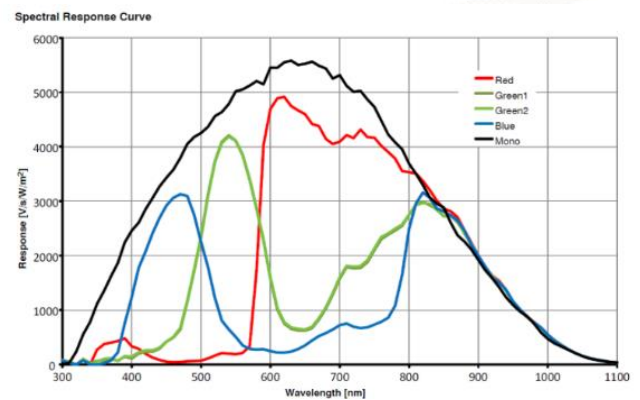
Key Features

- Single board design, flexible configuration.
- USB 3.0 interface provides 3Gbps bandwidth.
- Supports auto exposure control, LUT and gamma correction.
- Cameras can be synchronized with hard trigger and soft trigger.
- Different exposure modes.
- Embed special color interpolation algorithm which reproduces color performance better and supports auto white balance function.
- Compatible with USB 3.0 Vision V1.0, can be supported by third party software.

Application Scenarios

- Electronic semiconductor
- Factory automation
- Quality Inspection

Spectral Response



MV-CA003-21UM/UC Quantum Efficiency

Order Models

Mono: MV-CA003-21UM

Color: MV-CA003-21UC



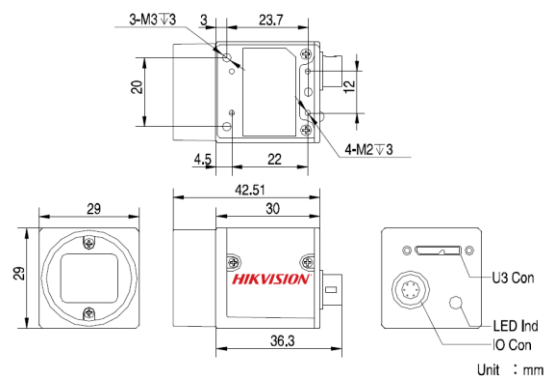
Specifications

Model	MV-CA003-21UM	MV-CA003-21UC
Parameters	0.3MP, 1/4" CMOS, USB 3.0 Camera	
Camera		
Sensor	PYTHON 300	
Pixel Size	4.8μm×4.8μm	
Sensor Size	1/4"	
Resolution	640x480	
Frame Rate	814fps	
Dynamic Range	>60dB	
SNR	>40dB	
Gain Range	0-15dB	
Exposure Time	3μs-10sec	6μs-10sec
Shutter Mode	Global shutter. Auto-exposure, Manual exposure, and One-key exposure	
Data Interface	USB 3.0	
General Purpose I/O	Opto-isolated input x1, Opto-isolated output x1, Bi-directional non-isolated I/O x1	
Data Format	Mono 8/10/10p/12/12p	Mono 8/10/12, Bayer RG 8/10/10p/12/12p, YUV 422 8, YUV 422 8 UYVY, RGB8
General		
Power	Approx. 3.3W@12VDC, Voltage 5~15VDC, USB 3.0 power supply supported	
Temperature	Working Temperature 0~50°C, Storage Temperature -30~70°C	
Dimension	29mm×29mm×30mm	
Weight	Approx. 56g	
Lens Interface	C-Mount	
Software	MVS or Third-Party Software supporting USB 3.0 Vision Protocol	
Operating System	Windows XP/7/10 32/64bits	
Compliance	USB 3.0 Vision	
Certification	CE, FCC, RoHS	

Recommended Accessories

- **Power:** 12VDC @1A power adapter
- **Cable:** Micro USB 3.0 cable (B Type) recommended

Dimensions



Hangzhou Hikvision Digital Technology Co., Ltd.
 No.700 Dongliu Road, Binjiang District, Hangzhou, 310052, China.
 Tel: +86-400-700-5998
 Email: hikrobotics@hikvision.com