

MV-CL020-41GC

2,048 Pixels Line Scan GigE Camera

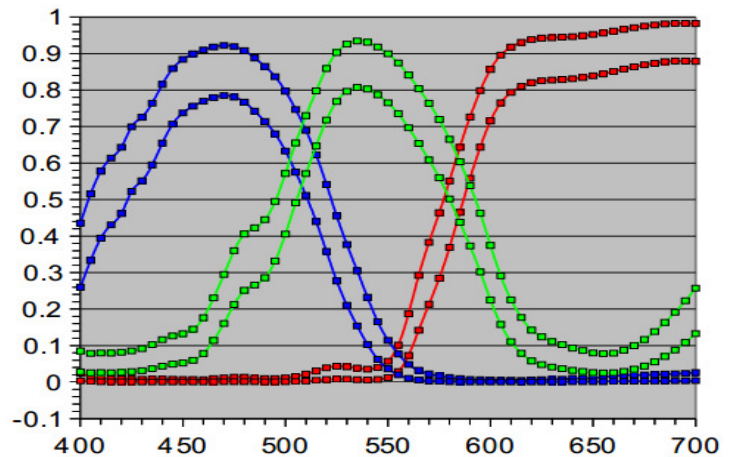
- 1 Gbps Ethernet Interface
- Transmits 300 ft (100 m) w/o Relays
- 128 MB On-Board Buffer, for Image Bursts
- Auto/Manual Exposure, LUT, Gamma Correction
- Synchronize Cameras with Hard/Soft Trigger
- Custom Region of Interest Output
- Multiple Lens Mounts
- GigE Vision v2.0 Compliant



The Hikvision MV-CL020-41GM Line Scan GigE Camera is a high quality device that can be used in a variety of applications, including printing, metallurgy, food, pharmaceutical, transportation, logistics, and material sorting.

Available Model: MV-CL020-41GC (color)

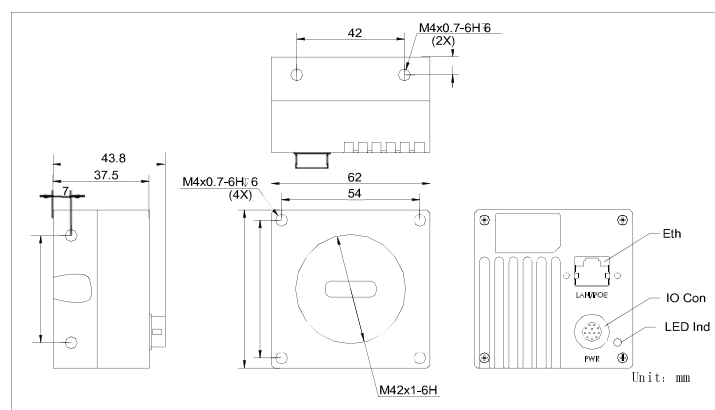
MV-CL020-41GC Quantum Efficiency



Specifications

MV-CL020-41GC	
Camera	
Type	2k pixels line scan GigE camera
Sensor	Awaiba DR2x2K7
Resolution	2048 x 2
Pixel Size	7 μ m
Horizontal Frequency	1 Hz to 26 kHz
A/D Converter Bits	12 bits
Image Data Bits	8, 10, 12 bits
Shutter Mode	Supports auto-exposure, fixed exposure time, trigger pulse width control
Dynamic Range	>60 dB
SNR	>40 dB
Image Processing	Gamma, lookup table
Gamma Correction	0 to 4.00, programmable lookup table
Binning	1/2/3/4 binning
ROI	Two ROI supported
Mirroring	Horizontal mirroring
Flat-Field (PRNU) Correction	Supported
Gain Control	Automatic/manual
Gain Range	0 dB to 7.9 dB
Minimum Exposure Time	2 μ s
Network	Gigabit Ethernet
Transmission Rate	100/1000 Mbps
GPIO	12-pin Hirose connector: 2 RS-422 inputs, 1 single-end input, 2 RS-422 outputs
External Trigger Mode	Line trigger and frame trigger
Image Buffer	128 MB
Data Format	Mono 8/10/12, RGB 8, YUV422, YUV422 (UYVY), Bayer RG 8/10/10p/12/12p
General	
Power	<4 W @ 12 VDC, voltage 5 to 15 VDC, PoE supported
Temperature	Working temperature: 32° to 122° F (0° to 50° C) Storage temperature: -22° to 158° F (-30° to 70° C)
Dimension	2.44" x 2.44" x 1.48" (62 mm x 62 mm x 37.5 mm)
Weight	6 oz (170 g)
Lens Interface	M42 x 1.0 with back focus distance 12 mm; F mount or C mount lenses are supported with lens adapter
Software	MVS or third-party software supporting GigE Vision protocol
Operating System	Windows XP/7/8 32-/64-bit
Compliance	GigE Vision v2.0
Certification	CE, FCC, RoHS

Dimensions



Recommended Accessories

- **Power Adapter:** 12 VDC @ 1 A
- **NIC:** Intel Pro1000 or above version
- **Network Cable:** CAT5e or CAT6 network cable