

MV-CH290-60GM

29 MP, CCD GigE Camera

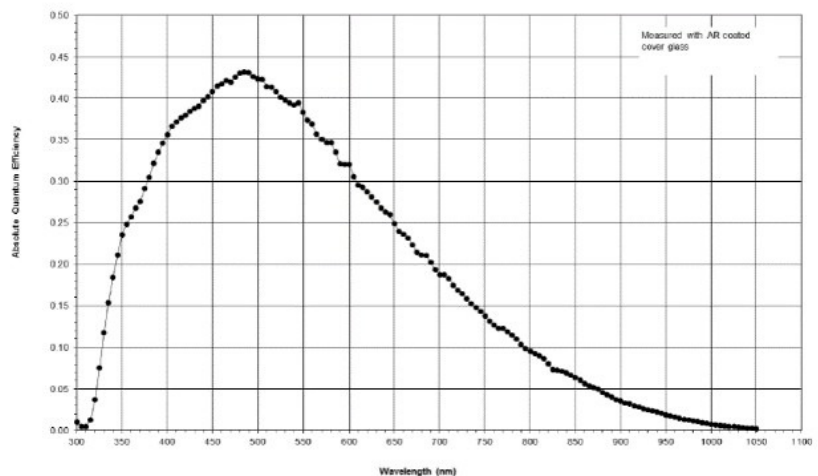
- 29 MP, 5.5 μm Pixel Size
- Global Shutter CCD w/High Dynamic Range and S/N Ratio
- 128 MB On-Board Buffer, To Trigger Several Frames
- Gigabit Ethernet (GigE Vision Protocol)
- Transmits 300 ft (100 m) w/o Relays
- RS-232 or Full Duplex RS-485
- M58 Mount, Uses F-Mount or C-Mount Lens
- Compact, Easy Assembly



The Hikvision MV-CH290-60GM 29 MP CCD GigE Camera is a high quality device that can be used in a variety of applications, including SMT auto optical inspection, PCB AOI, FPD inspection, and railway related applications.

Available models: Mono: MV-CH290-60GM

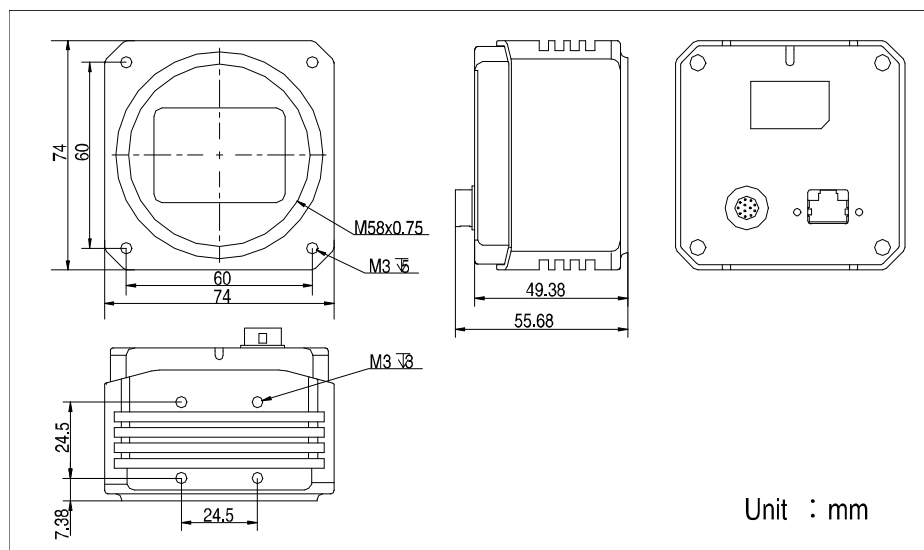
MV-CH290-60GM Quantum Efficiency



Specifications

MV-CH290-60GM	
Camera	
Type	29 MP, CCD GigE camera
Sensor	Kodak KAI29050 36 mm x 24 mm CCD
Shutter	Global shutter
Resolution	6576 × 4384
Pixel Size	5.5 μm × 5.5 μm
Frame Rate	4 fps @ 6576 × 4384
Dynamic Range	64 dB
SNR	>40 dB
Gain Range	0 to 20 dB
Exposure Time	110 μs to 1 sec
Shutter Mode	Global shutter: auto-exposure, manual exposure, one-key exposure
Network	Gigabit Ethernet
General Purpose I/O	12-pin IO port that includes: 1 channel GPI, 1 channel GPO, 1 bi-directional IO, 1 channel RS-232, 1 channel full duplex RS-485
Image Buffer	128 MB
Data Format	Mono 8/10/10p/12/12p
General	
Power	Approximately 12 W @ 12 VDC, voltage: 12 VDC, approximately 12 W @ 48 VDC
Temperature	Working temperature: 32° to 122° F (0° to 50° C) Storage temperature: -22° to 158° F (-30° to 70° C)
Humidity	20% to 95% RH non-condensing
Dimension	2.9" x 2.9" x 1.9" (74 mm × 74 mm × 49 mm)
Weight	Approximately 19.47 oz (552 g)
Lens Interface	F mount with 46.5 mm back focus distance or M58 x 0.75 with 11.48 mm ±0.02 mm back focus distance
Software	MVS or third-party software supporting GigE Vision Protocol
Operating System	Windows XP/7/8 32-/64-bit
Compliance	GigE Vision v1.2
Certification	CE, FCC, RoHS

Dimensions



Recommended Accessories

- **Power Adapter:** 12 VDC @ 1 A
- **NIC:** Intel Pro1000 or above version
- **Network Cable:** CAT5e or CAT6 network cable