

MV-CH080-60GM

8 MP, 4/3" CCD GigE Camera

- 8 MP, 5.5 μm Pixel Size
- Global Shutter CCD w/High Dynamic Range and S/N Ratio
- 128 MB On-Board Buffer, To Trigger Several Frames
- Gigabit Ethernet (GigE Vision Protocol)
- Transmits 300 ft (100 m) w/o Relays
- RS-232 or Full Duplex RS-485
- M58 Mount, Uses F-Mount or C-Mount Lens
- Compact, Easy Assembly

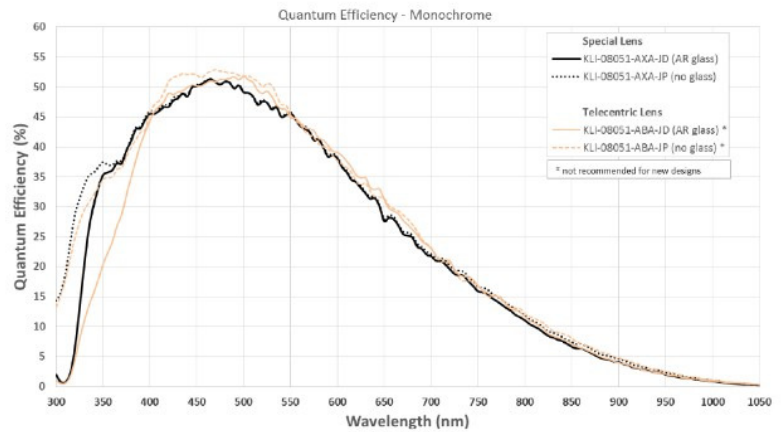


The Hikvision MV-CH080-60GM 8 MP 4/3" CCD GigE Camera is a high quality device that can be used in a variety of applications, including SMT auto optical inspection, PCB AOI, FPD inspection, and railway related applications.



Available models: Mono: MV-CH080-60GM

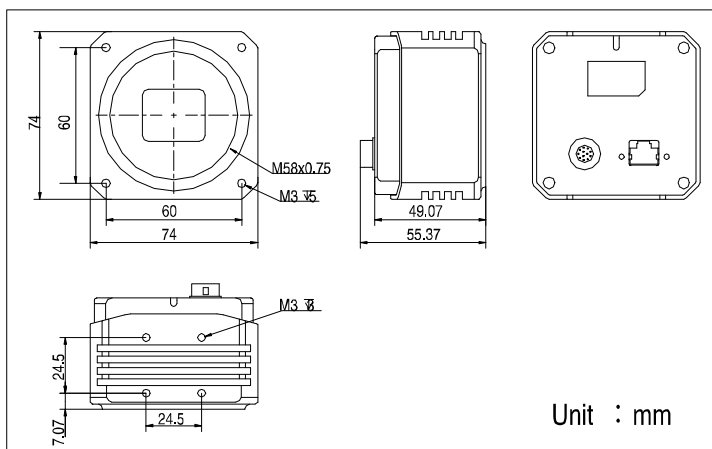
MV-CH080-60GM Quantum Efficiency



Specifications

MV-CH080-60GM	
Camera	
Type	8 MP, CCD GigE camera
Sensor	Kodak KAI08051 4/3" CCD
Shutter	Global shutter
Resolution	3296 × 2472
Pixel Size	5.5 μm × 5.5 μm
Frame Rate	14 fps @ 3296 × 2472
Dynamic Range	66 dB
SNR	>40 dB
Gain Range	0 to 20 dB
Exposure Time	50 μs to 1 sec
Shutter Mode	Global shutter: auto-exposure, manual exposure, one-key exposure
Network	Gigabit Ethernet
General Purpose I/O	12-pin IO port that includes: 1 channel GPI, 1 channel GPO, 1 bi-directional IO, 1 channel RS-232, 1 channel full duplex RS-485
Image Buffer	128 MB
Data Format	Mono 8/10/10p/12/12p
General	
Power	Approximately 10.8 W @ 12 VDC, voltage: 12 VDC, approximately 10.8 W @ 48 VDC
Temperature	Working temperature: 32° to 122° F (0° to 50° C) Storage temperature: -22° to 158° F (-30° to 70° C)
Humidity	20% to 95% RH non-condensing
Dimension	2.9" x 2.9" x 1.93" (74 mm x 74 mm x 49 mm)
Weight	Approximately 14.39 oz (408 g)
Lens Interface	M58 x 0.75, back focus distance 11.48 mm ±0.02 mm, F mount or C mount lens supported with lens adapter
Software	MVS or third-party software supporting GigE Vision Protocol
Operating System	Windows XP/7/8 32-/64-bit
Compliance	GigE Vision v1.2
Certification	CE, FCC, RoHS

Dimensions



Recommended Accessories

- **Power Adapter:** 12 VDC @ 1 A
- **NIC:** Intel Pro1000 or above version
- **Network Cable:** CAT5e or CAT6 network cable