

MV-CE100-30GM/GC

10 MP, 1/2.3" CMOS GigE Camera

- Gigabit Ethernet (1 Gbps)
- 300 ft (100 m) Transmit Distance w/o Relaying
- 128 MB On-Board Buffer, for Image Bursts
- Auto Exposure Control, LUT, Gamma Correction
- Synchronize Cameras with Hard/Soft Trigger
- Multiple Exposure Modes
- Enhanced Color w/Auto White Balance
- GigE Vision v1.2 Compliant

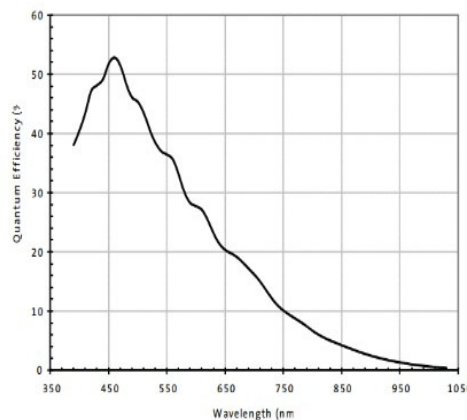


The Hikvision MV-CE100-30GM/GC 10 MP 1/2.3" CMOS GigE Camera is a high quality device that can be used in a variety of applications, including electronic semiconductor fabrication, factory automation, quality inspection.

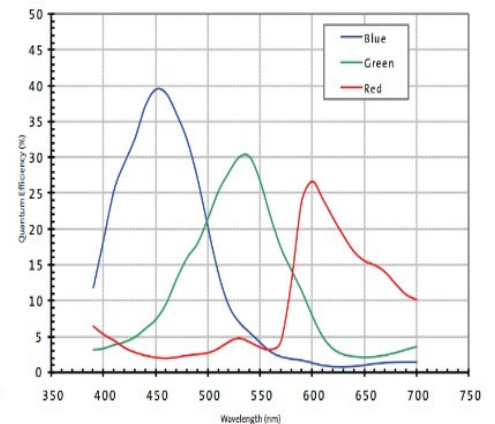


Available Models: Mono: MV-CE100-30GM
Color: MV-CE100-30GC

MV-CE100-30GM/GC Quantum Efficiency



MV-CE100-30GM Quantum Efficiency

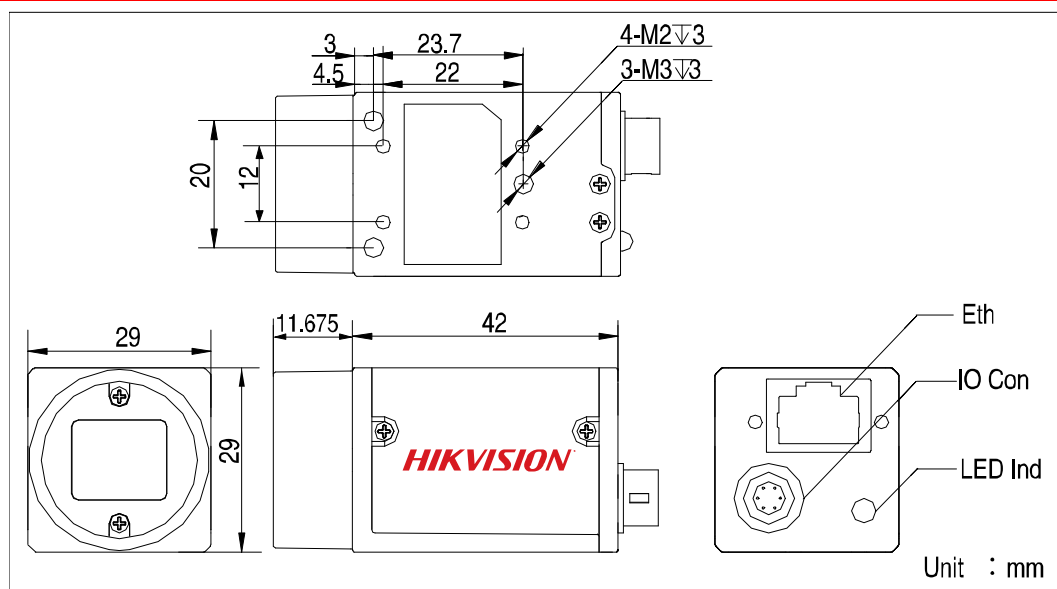


MV-CE100-30GC Quantum Efficiency

Specifications

	MV-CE100-30GM	MV-CE100-30GC
Camera		
Type	10 MP, 1/2.3" CMOS GigE camera	
Sensor	Aptina MT9J003, 1/2.3" CMOS	
Shutter	Rolling shutter	
Resolution	3840 × 2748	
Pixel Size	1.67 μm × 1.67 μm	
Frame Rate	7 fps @ 3840 × 2748, Mono 8	5.5 fps @ 3840 × 2748, YUV 7 fps @ 3840 × 2748, Bayer 8
Dynamic Range	>65 dB	
SNR	>34 dB	
Gain Range	0 to 15.3 dB	
Exposure Time	50 μs to 2 sec	
Shutter Mode	Rolling shutter: auto-exposure, manual exposure, and one-key exposure	
Network	Gigabit Ethernet	
General Purpose I/O	Opto-isolated input x 1, opto-isolated output x 1, bi-directional non-isolated I/O x 1	
Image Buffer	128 MB	
Data Format	Mono 8/10/10p12/12p	Mono 8/10/12, Bayer GR 8/10/10p/12/12p, YUV422 (UYVY), YUV422, RGB 8
General		
Power	<2.6 W @ 12 VDC, voltage 5 to 15 VDC, PoE supported	
Temperature	Working temperature: 32° to 122° F (0° to 50° C) Storage temperature: -22° to 158° F (-30° to 70° C)	
Dimension	1.14" x 1.14" x 1.65" (29 mm × 29 mm × 42 mm)	
Weight	Approximately 2.4 oz (68 g)	
Lens Interface	C-mount	
Software	MVS or third-party software supporting GigE Vision protocol	
Operating System	Windows XP/7/8 32-/64-bit	
Compliance	GigE Vision v1.2	
Certification	CE, FCC, RoHS	

Dimensions



Recommended Accessories

- **Power Adapter:** 12 VDC @ 1 A
- **NIC:** Intel Pro1000 or above version
- **Network Cable:** CAT5e or CAT6 network cable