

MV-CA060-10GC

6 MP, 1/1.8" CMOS GigE Camera

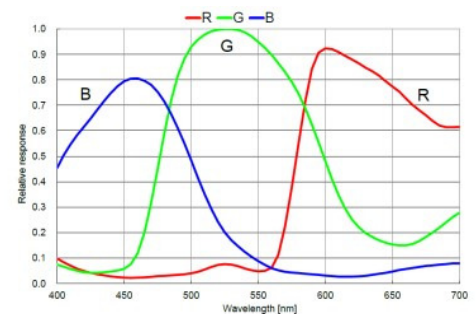
- Gigabit Ethernet (1 Gbps)
- 300 ft (100 m) Transmit Distance w/o Relaying
- 128 MB On-Board Buffer, for Image Bursts
- Auto Exposure Control, LUT, Gamma Correction
- Synchronize Cameras with Hard/Soft Trigger
- Multiple Exposure Modes
- Enhanced Color w/Auto White Balance
- GigE Vision v1.2 Compliant



The Hikvision MV-CA060-10GC 6 MP 1/1.8" CMOS GigE Camera is a high quality device that can be used in a variety of applications, including electronic semiconductor fabrication, factory automation, and quality inspection.

Available Model: Color: MV-CA060-10GC

MV-CA060-10GC Quantum Efficiency

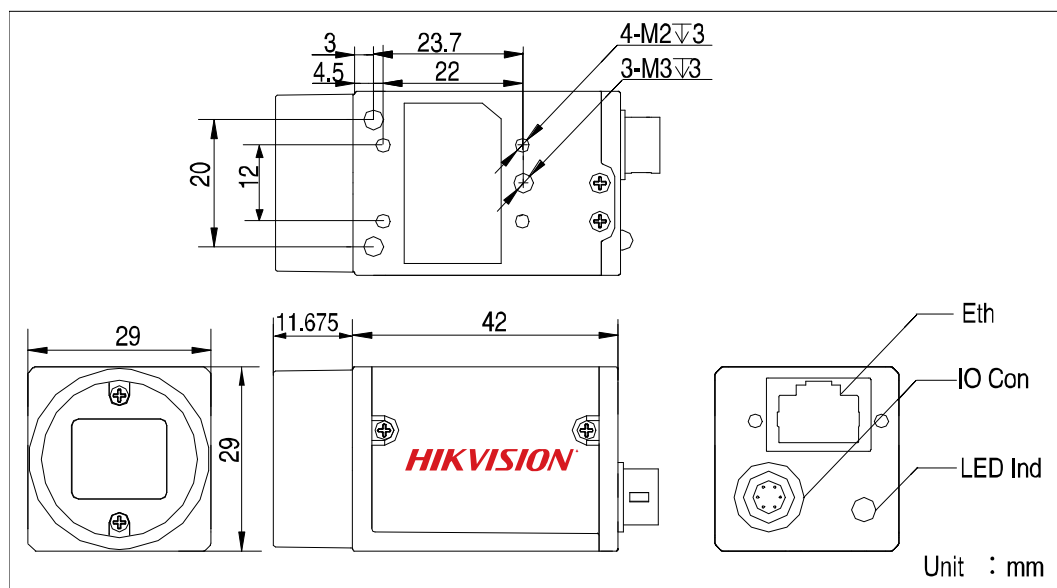


MV-CA060-10GC Quantum Efficiency

Specifications

MV-CA060-10GC	
Camera	
Type	6 MP, 1/1.8" CMOS GigE camera
Sensor	Sony IMX178, 1/1.8" CMOS
Shutter	Rolling shutter
Resolution	3072 x 2048
Pixel Size	2.4 μm \times 2.4 μm
Frame Rate	9.3 fps @ 3072 x 2048, YUV 17 fps @ 3072 x 2048, Bayer 8
Dynamic Range	>65 dB
SNR	>40 dB
Gain Range	0 to 20 dB
Exposure Time	27 μs to 2.5 sec
Shutter Mode	Rolling shutter: auto-exposure, manual exposure, one-key exposure
Network	Gigabit Ethernet
General Purpose I/O	Opto-isolated input x 1, opto-isolated output x 1, bi-directional non-isolated I/O x 1
Image Buffer	128 MB
Data Format	Mono 8/10/12, Bayer RG 8/10/10p/12/12p, YUV422 (UYVY), YUV422, RGB 8
General	
Power	Approximately 3.5 W @ 12 VDC, voltage: 5 to 15 VDC, PoE
Temperature	Working Temperature: 32° to 122° F (0° to 50° C) Storage temperature: -22° to 158° F (-30° to 70° C)
Dimensions	1.14" x 1.14" x 1.65" (29 mm \times 29 mm \times 42 mm)
Weight	Approximately 2.4 oz (68 g)
Lens Interface	C-mount
Software	MVS or third-party software supporting GigE Vision
Operating System	Windows XP/7/8 32-/64-bit
Compliance	GigE Vision v1.2
Certification	CE, FCC, RoHS

Dimensions



Recommended Accessories

- **Power Adapter:** 12 VDC @ 1 A
- **NIC:** Intel Pro1000 or above version
- **Network Cable:** CAT5e or CAT6 network cable