

MV-CA030-10GM/GC 3 MP 1/1.8" CCD GigE Camera

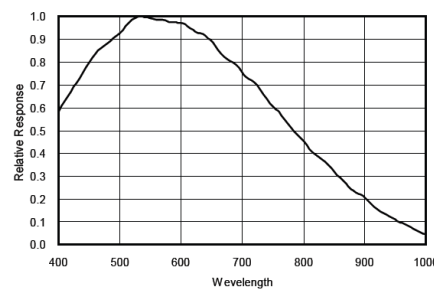
- Gigabit Ethernet (1 Gbps)
- 300 ft (100 m) Transmit Distance w/o Relaying
- 128 MB On-Board Buffer, for Image Bursts
- Auto Exposure Control, LUT, Gamma Correction
- Synchronize Cameras with Hard/Soft Trigger
- Multiple Exposure Modes
- Enhanced Color w/Auto White Balance
- GigE Vision v1.2 Compliant



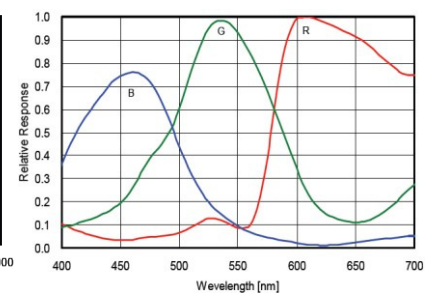
The Hikvision MV-CA030-10GM/GC 3 MP 1/1.8" CCD GigE Camera is a high quality device that can be used in a variety of applications, including electronic semiconductor fabrication, factory automation, bar code reading, and medicine package inspection.

Available Models: Mono: MV-CA030-10GM
Color: MV-CA030-10GC

MV-CA030-10GM/GC Quantum Efficiency



MV-CA030-10GM Quantum Efficiency

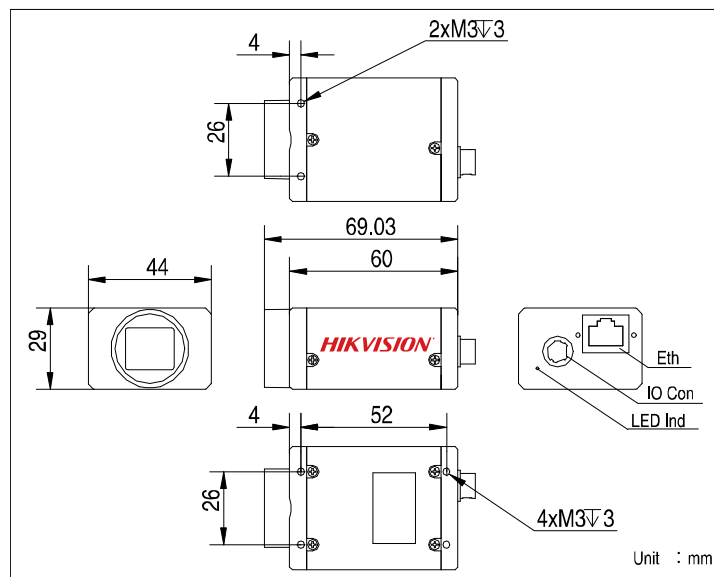


MV-CA030-10GC Quantum Efficiency

Specifications

| | MV-CA030-10GM | MV-CA030-10GC |
|---------------------|---|--|
| Camera | | |
| Type | 3 MP, 1/1.8" CCD GigE camera | |
| Sensor | Sony ICX687, 1/1.8" CCD | |
| Shutter | Global shutter | |
| Resolution | 1920 x 1440 | |
| Pixel Size | 3.69 μm \times 3.69 μm | |
| Frame Rate | 25 fps @ 1920 \times 1440 (Mono 8) | 21.3 fps @ 1920 \times 1440, YUV 25 fps @ 1920 \times 1440, Bayer 8 |
| Dynamic Range | >61 dB | |
| SNR | >40 dB | |
| Gain Range | 0 to 20 dB | |
| Exposure Time | 26 μs to 1 sec | |
| Exposure Control | Internal/external | |
| Network | Gigabit Ethernet | |
| General Purpose I/O | Opto-isolated input x 1, opto-isolated output x 1 | |
| Image Buffer | 128 MB | |
| Data Format | Mono 8/10/10p//12/12p | Mono 8/10/12, Bayer RG 8/10/10p/12/12p, YUV422 (UYVY), YUV422, RGB 8 |
| General | | |
| Power | <4 W @ 12 VDC, voltage: 5 to 15 VDC, PoE supported | |
| Temperature | Working temperature: 32° to 122° F (0° to 50° C) Storage temperature: -22° to 158° F (-30° to 70° C) | |
| Dimension | 1.73" x 1.14" x 2.36" (44 mm x 29 mm x 60 mm) | |
| Weight | Approximately 3.0 oz (86 g) | |
| Lens Interface | C-mount | |
| Software | MVS or third-party software supporting GigE Vision protocol | |
| Operating System | Windows XP/7/8 32-/64-bit | |
| Compliance | GigE Vision v1.2 | |
| Certification | CE, FCC, RoHS | |

Dimensions



Recommended Accessories

- **Power Adapter:** 12 VDC @1 A
- **NIC:** Intel Pro1000 or above version
- **Network Cable:** CAT5e or CAT6 network cable