

## MV-CA003-20GM/GC 0.3 MP 1/4" CMOS GigE Camera

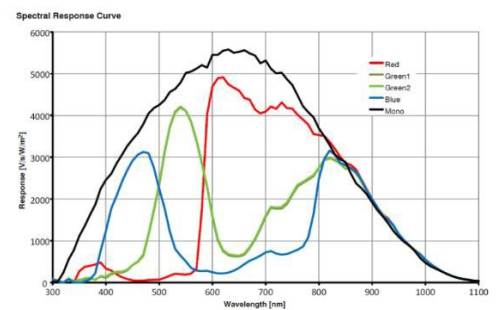
- Gigabit Ethernet (1 Gbps)
- 300 ft (100 m) Transmit Distance w/o Relaying
- 128 MB On-Board Buffer, for Image Bursts
- Auto Exposure Control, LUT, Gamma Correction
- Synchronize Cameras with Hard/Soft Trigger
- Multiple Exposure Modes
- GigE Vision v1.2 Compliant



The Hikvision MV-CA003-20GM/GC 0.3 MP 1/4" CMOS GigE Camera is a high quality device that can be used in a variety of applications, including electronic semiconductor fabrication, factory automation, food and beverage inspection, and medicine package inspection.

**Available Models:** Mono: MV-CA003-20GM  
Color: MV-CA003-20GC

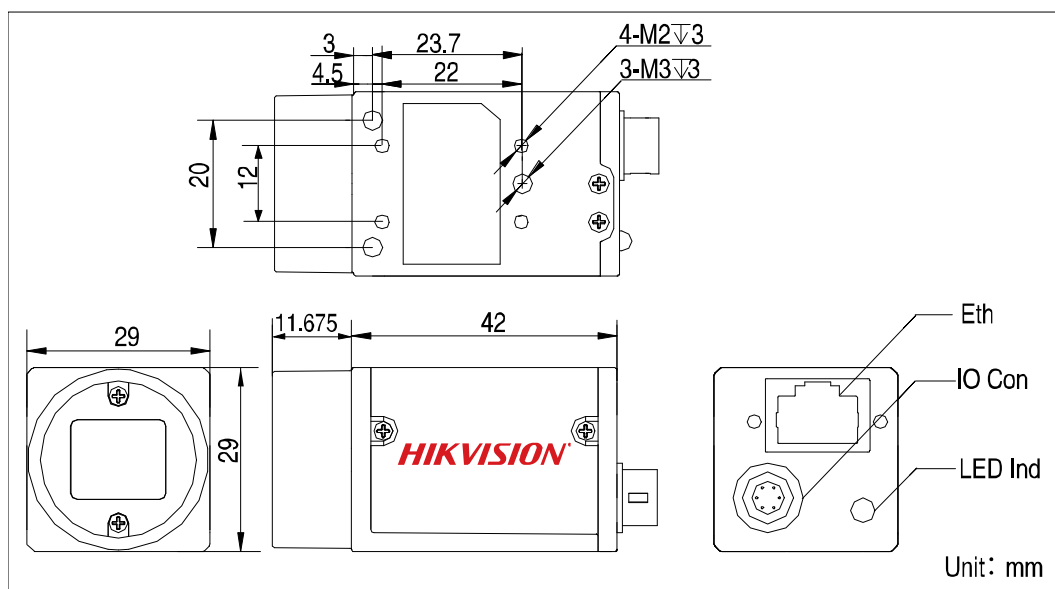
### MV-CA003-20GM/GC Quantum Efficiency



# Specifications

	MV-CA003-20GM	MV-CA003-20GC
<b>Camera</b>		
Device	0.3 MP, 1/4" CMOS GigE camera	
Sensor	Python 300, 1/4" CMOS	
Shutter	Global shutter	
Resolution	672 × 512	
Pixel Size	4.8 μm × 4.8 μm	
Frame Rate	300 fps @ 640 × 480, Mono 8	172 fps @ 640 × 480, YUV 300 fps @ 640 × 480, Bayer 8
Dynamic Range	>60 dB	
SNR	>40 dB	
Gain Range	0 to 15 dB	
Exposure Time	10 μs to 10 sec	
Shutter Mode	Global shutter: auto-exposure, manual exposure, one-key exposure	
Network	Gigabit Ethernet	
General Purpose I/O	Opto-isolated input x 1 Opto-isolated output x 1 Bi-directional non-isolated I/O x 1	
Image Buffer	128 MB	
Data Format	Mono 8/10/10p/12/12p	Mono 8/10/12, Bayer RG 8/10/10p/12/12p, YUV422, YUV422 (UYVY), RGB 8
<b>General</b>		
Power	Approximately 2.6 W @ 12 VDC; voltage: 5–15 VDC, PoE	
Temperature	Working temperature: 32° to 122° F (0° to 50° C) Storage temperature: -22° to 158° F (-30 to 70° C)	
Dimension	29 mm × 29 mm × 42 mm	
Weight	Approximately 2.4 ozs (68 g)	
Lens Interface	C-mount	
Software	MVS or third-party software supporting GigE Vision protocol	
Operating System	Windows XP/7/8 32-/64-bit	
Compliance	GigE Vision v1.2	
Certification	CE, FCC, RoHS	

# Dimensions



# Recommended Accessories

- **Power Adapter:** 12 VDC @1 A
- **NIC:** Intel Pro1000 or above version
- **Network Cable:** CAT5e or CAT6 network cable