



## Thermal Imaging PT Camera with GXi Imbedded Intelligence



### Features:

- Features GXi Technology powered by VCA maximizing the camera's surveillance capabilities by bringing an added feature set of video analytics
- Thermal imaging powered by DRS Technologies
- 17  $\mu\text{m}$  Uncooled Vanadium Oxide Microbolometer
- 320x240 / 640x480 resolutions
- 30 fps or 9 fps versions for global commercial applications
- IP and analog connectivity
- Continuous 360° high speed pan/tilt
- Two-way audio
- Indoor/outdoor (IP66)
- Embedded storage and edge recording
- ONVIF Profile S and G conformant
- Flexible input power options: AC, DC, PoE+

■ Specifications

Camera Module (Pixel Array)	Resolution	320x240, 640x480
	Detection Type	Uncooled Vanadium Oxide Microbolometer
	Sensor Pixel Size	17 µm
	Spectral Response	8-14 µm
	Sensitivity (NETD)	< 50 mK at f/1.0
	Lens (FOV)	320x240 - 9° (35mm), 16° (19mm), 24° (13mm), 42° (7.5mm) 640x480 -18° (35mm), 37° (16.7mm) 50° (12.8mm) - Inquire for lens additional options
	Scanning System	Progressive Scan
Video	Video Compression	H.264 Baseline, Main, High profile (MPEG-4 Part 10/ AVC), MJPEG (Motion JPEG)
	Video Streaming	Dual Stream, Configurable streams in H.264, MJPEG H.264: Controllable frame rate, bandwidth (VBR/CBR) MJPEG: Controllable frame rate, JPEG quality
	Resolutions	640x480 (VGA, Scaled-up), 320x240 (QVGA), 160x120 (QQVGA)
	Frame Rate	Configurable up to 30 FPS or 9 FPS
	Image Settings	Configurable brightness, contrast and sharpness
	Image Orientation	Flip / Mirror / Corridor Mode (-90°, +90°)
	Motion Detection	Supported
	Video Stabilization	Supported
	Burnt-in Text	Supported
	Privacy Mask	4 configurable regions
	Image Process	Image Contrast Enhancement (ICE™)
	Gain / Level Control	Automatic
	Smart Bitrate Control	Supported
	Analog Output	NTSC / PAL
Audio	Audio Streaming	Two-way
	Audio Compression	G.711-uLaw
	Audio	Supported
Network	Ethernet Standard	10 / 100 Base-T
	IP	IPv4, IPv6
	Protocol	QoS Layer 3 DiffServ, TCP/IP, UDP/IP, HTTP, HTTPS, FTP, RTSP, RTP, RTCP, RTP/UDP, RTP/TCP, mDNS, UPnP™, SMTP, DHCP, DNS, DynDNS, NTP, SNMPv1/v2c/v3(MIB-II), IGMP, ICMP, SSLv2/v3, TLSv1/1.2, SRTP, RTMP, IEEE802.1X
	Security	HTTPS (SSL), IP Filtering, Multi-level access with password protection
	Users	Live viewing for up to 10 clients
Integration	Application Programming Interface	Software Development Kit (SDK) available
	ONVIF Compliance	Profile S, Profile G
	Event Sources	Sensor (DI); Alarm (DO); Video Motion Detection; Tamper Detection; Video Content Analytics (VCA); Network Loss/Detect; Network Setting Change; Time (Recurrence/Schedule); Storage Error
	Event Actions	File upload: E-mail, FTP. Notification: E-mail, FTP, HTTP, TCP (push, multicast, TCP event server). Active alarm (DO). Recording. Event Log Saving.
	Event Metadata Streaming (RTSP/RTP)	Video Motion Detection (MD); Video Content Analytics (VCA)

**■ Specifications (continued)**

Pan / Tilt	Pan / Tilt Range	Pan Range: 360° / Endless Rotation, Tilt range: -10°~90° / Auto Flip
	Manual Pan/Tilt Speed	Min 0.2° / Max 120°
	Preset Pan/Tilt Speed	Min 0.2° / Max 360°
	Preset Control	255 preset points
Edge Storage	Storage	1x microSD/SDHC memory card slot (up to 32GB, card not included)
	Recording Types	Continuous Recording or Event Recording
	Continuous Recording	Instant recording; Search & Download
	Event Recording	Search of Event Logs; Playback; Download
GXi Imbedded Intelligence (Standard)	High Performance	Advanced tracking algorithm, low false alarm rate
	Easy to Use	Intuitive web browser interface
	Detection Zones	Multi-segment polygons and lines
	On-screen Display	Real-time display of tracking data and events
	Tamper Detection	Detect camera tampering
	Presence Filter	Detect presence of an object
	Detection Behavior	Direction and Dwell filters
GXi Imbedded Intelligence (Optional Licenses)	3D Behavior	Perspective corrected size, speed filters and calibration
	Detection Behavior	Enter, Exit, Appear, Disappear, Stop, Tailgating filters
	Logical Rules	Extends standard rules to allow various combinations of the inputs
	Counting Line	High accuracy people and vehicle counting
	Counter	20 counters in total
	Counting Report	Generates counter reports based on the counter database
Physical	Meta Data	Plain XML Format
	Material	Aluminum, White
	External I/O Terminals	1x Alarm In, 1x Alarm Out
	Language on Webpage	English, Chinese, Korean
	Power Source/ Consumption	24VDC, 24VAC, PoE+ / 16W
	Operating Conditions	-4°F ~ 122°F (-20°C ~ 50°C), Humidity up to 90% RH (non-condensing)
	Weight	7.7lbs. (3.5kg)
	Certifications	FCC, CE, IP66
Dimensions (H x W)	10" x 5.1" (255H x 130W mm)	

Go to [ganzsecurity.com/gxi](http://ganzsecurity.com/gxi) for complete GXi Imbedded Intelligence license list.

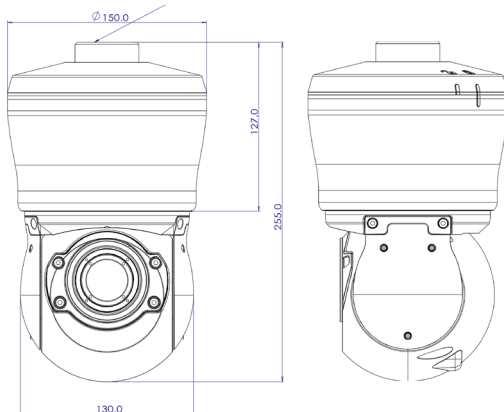
## Thermal Imaging PT Camera with GXi Imbedded Intelligence

### Models

GANZ THERMAL - G2 PAN & TILT 320x240	
ZNT1-PAT14G20A	Pan & Tilt Thermal, 17um, 50 NETD, 320x240 resolution, 30 fps, 42° FOV, 7.5MM, NTSC/PAL
ZNT1-PAT14G29A	Pan & Tilt Thermal, 17um, 50 NETD, 320x240 resolution, 30 fps, 24° FOV, 13MM, NTSC/PAL
ZNT1-PAT14G23A	Pan & Tilt Thermal, 17um, 50 NETD, 320x240 resolution, 30 fps, 16° FOV, 19MM, NTSC/PAL
ZNT1-PAT14G25A	Pan & Tilt Thermal, 17um, 50 NETD, 320x240 resolution, 30 fps, 9° FOV, 35MM, NTSC/PAL
GANZ THERMAL - G2 PAN & TILT 640x480	
ZNT1-PAT24G35A	Pan & Tilt Thermal, 17um, 50 NETD, 640x480 resolution, 30 fps, 50° FOV, 12.8MM, NTSC/PAL
ZNT1-PAT24G22A	Pan & Tilt Thermal, 17um, 50 NETD, 640x480 resolution, 30 fps, 37° FOV, 16.7MM, NTSC/PAL
ZNT1-PAT24G25A	Pan & Tilt Thermal, 17um, 50 NETD, 640x480 resolution, 30 fps, 18° FOV, 35MM, NTSC/PAL
ZNT1-PBT24G35A	Pan & Tilt Thermal, 17um, 50 NETD, 640x480 resolution, 9 fps, 50° FOV, 12.8MM, NTSC/PAL
ZNT1-PBT24G22A	Pan & Tilt Thermal, 17um, 50 NETD, 640x480 resolution, 9 fps, 37° FOV, 16.7MM, NTSC/PAL
ZNT1-PBT24G25A	Pan & Tilt Thermal, 17um, 50 NETD, 640x480 resolution, 9 fps, 18° FOV, 35MM, NTSC/PAL
ACCESSORIES	
WMB-4500T	Wall Mount Bracket
CMB-4500T	Ceiling Mount Bracket

Go to [ganzsecurity.com/gxi](http://ganzsecurity.com/gxi) for a complete GXi Imbedded Intelligence license list

### Dimensions



All specifications are subject to change without notice.

9 Hz models are export controlled by the U.S. Department of Commerce under ECCN 6A993. 30 Hz models are export controlled by the U.S. Department of Commerce under ECCN 6A003b.4.b. The commodities described herein may require U.S. Government authorization prior to export or re-export.

### Accessories

