

12M CMOS CameraLink 66.9fps Global Shutter

NEW

Sony 12M High-Speed CMOS

STC-SPC123BPCL 【Color】
STC-SPB123BPCL 【Mono】

High-Speed CMOS 12M model added to Camera Link series.
Sony Pregius sensor delivers high quality images.
Global Shutter sensor captures motion rolling artifacts.
Power-Over-Camera-Link(PoCL) compliant or via external power supply.



Pregius



※ **Pregius** is trademark of Sony Corporation.

Summary

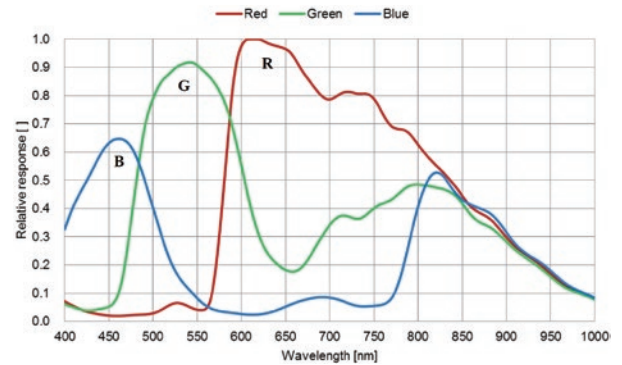
- 4096(H) x 3000(V)
- 3.45 μ m x 3.45 μ m
- 66.9 fps
- 1.1" Sensor
- Lens Mount : C Mount
- Global Shutter
- Power-Over-Camera-Link compliant
- 35 x 35 x 40.7 mm (excluding connectors)

Specifications

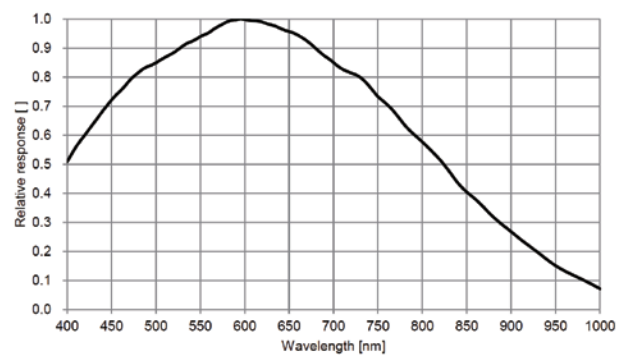
Model Numbers	: STC-SPC123BPCL (Color) STC-SPB123BPCL (Monochrome)
Image Sensor	: 1.1" 12.37M Progressive CMOS (SONY IMX253)
Shutter Type	: Global Shutter
Effective Pixels	: 4096 (H) x 3000 (V) (2Tap, 4Tap, 8Tap) 4095 (H) x 3000 (V) (3Tap) 4090 (H) x 3000 (V) (10Tap)
Cell Size	: 3.45 (H) x 3.45 (V) μm
Sync System	: Free run, External trigger
Maximum Frame Rate	: 66.9 fps (8bit, 10Tap, 84.857MHz) 53.6 fps (10bit, 8Tap, 84.857MHz) 26.9 fps (12bit, 4Tap, 84.857MHz)
Video Format	: 8 bit / 10bit / 12bit output
Noise Level	: Less than TBD LSBs (Gain 0 dB, 8bit) Less than TBD LSBs (Gain 0 dB, 10bit) Less than TBD LSBs (Gain 0 dB, 12bit)
Sensitivity	: TBD Lux (Color), TBD Lux (Monochrome)
Exposure time	: 1 $\mu\text{seconds}$ to 16.777 seconds
Analog Gain	: 0 dB to 18 dB
Digital Gain	: 0 dB to 24 dB
Black Level	: 0 to 63 (8bit), 0 to 255 (10bit), 0 to 1024 (12bit)
White Balance Gain	: -40 dB to 12 dB (Color Model Only)
ROI (AOI)	: Horizontal 2 to 4096 (2Tap), 3 to 4095 (3Tap) 4 to 4096 (4Tap), 8 to 4096 (8Tap), 10 to 4090 (10Tap) Vertical 4 to 3000 [Adjustable Steps for size] Horizontal 2 (2Tap), 3 (3Tap), 4 (4Tap), 8 (8Tap), 10 (10Tap) Vertical 4 [Adjustable Steps for offset] Horizontal 1 (Monochrome), 2 (Color) / Vertical 4
MultiROI	: 8 Regions (Horizontal 1 regions x Vertical 8 regions)
Gamma	: 1.0 / uploadable gamma table
Binning	: x2 Vertical binning (Monochrome Model Only, Average)
Decimation	: Individual x2 Horizontal, Vertical Decimation
Image Flip	: Horizontal / Vertical / Horizontal and Vertical / Off
Pixel Defect Correction	: Up to 256 points
Operational Mode	: Free run / Edge preset Trigger / Pulse width Trigger
Interface	: CameraLink Base / Medium / Full / Deca
Communication	: RS232 via Camera Link connector
Power Input Voltage	: DC12V \pm 10% (Power/IO connector), Supported PoCL
Consumption	: Less than TBD W
Dimensions	: 35 (W) x 35 (H) x 40.7 (D) mm (excluding connector)
Optical Filter	: No IR Cut Filter
Lens mount	: C mount
Camera Link connector	: SDR x 2
Power/IO connector	: HR10A-7R-6PB (Hirose) or equivalent
Camera Mounting	: Two 1/4" tripod screw holes (One on each top and bottom plate). Fourteen M4 screw holes (Four on each top and bottom plate, Three on each side plate).
Weight	: Approx. 73 g
Compliance	: RoHS Compliant

Spectral Sensitivity

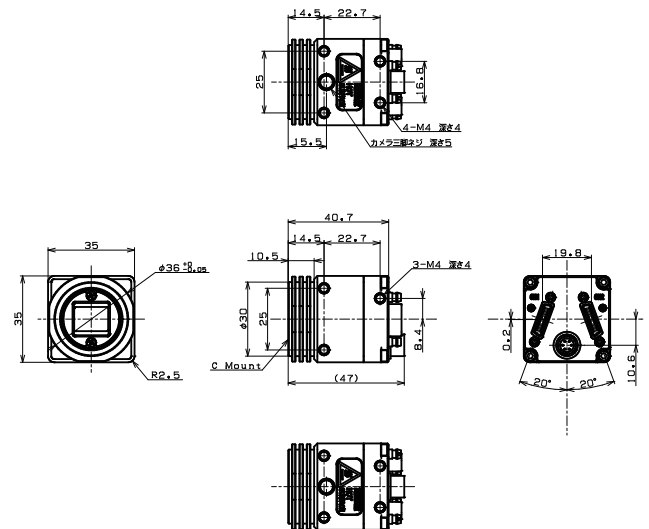
STC-SPC123BPCL



STC-SPB123BPCL



Dimensions



Distributor

2016.11

※Specifications are subject to change without notice.

Development and manufacture

SENTECH

センテック株式会社 SENTECH CO., LTD

7F, Harada Center Building, 9-17, Nakacho 4-chome, Atsugi City, Kanagawa 243-0018 Japan

TEL : 81-46-295-7061 FAX : 81-46-295-7066 www.sentech.co.jp/en/ E-mail : info@sentech.co.jp