

# 2.3MP CMOS GigE Vision 45fps Global Shutter

NEW

## Sentech GigE Vision Camera

**STC-SBS241POE** 【Mono】

**STC-SCS241POE** 【Color】

Sentech is excited to present the brand new STC-SCS241U3V Sony CMOS Sensor camera. The STC-SCS241U3V features a 1/1.2" Sony CMOS Sensor, 2.3 Megapixel Resolution, 45 FPS, and a multitude of other functions. If high quality at a great price is what you need, look no further!



### Features

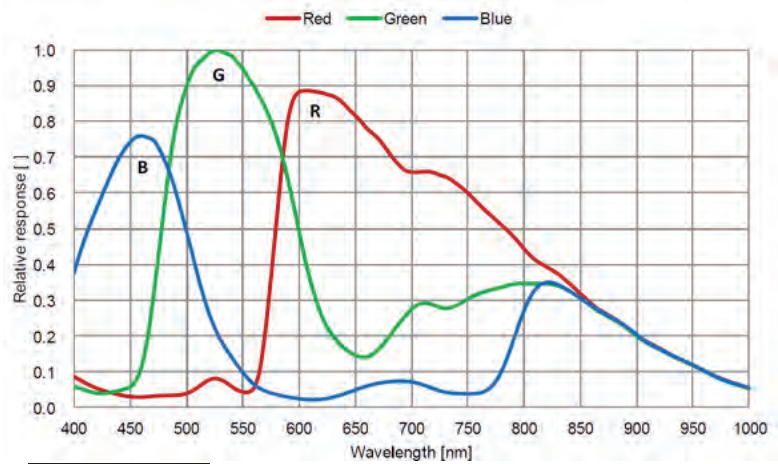
- 1920 (H) x 1200 (V)
- 5.86  $\mu\text{m}$  x 5.86  $\mu\text{m}$
- 1/1.2" CMOS Sensor
- 45 FPS
- Global Shutter
- C Mount
- PoE / 6 Pin Connector
- 35 x 35 x 53.4 mm (excluding connector)



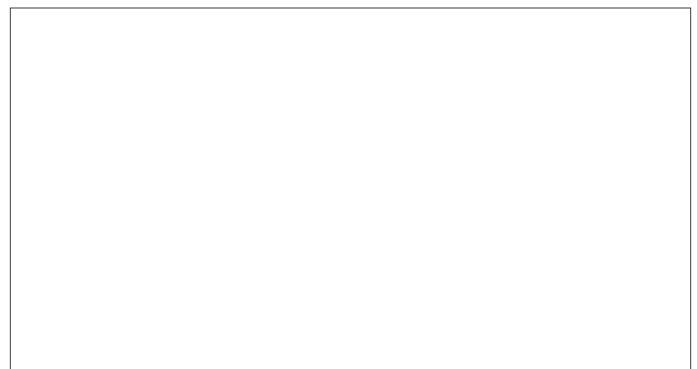
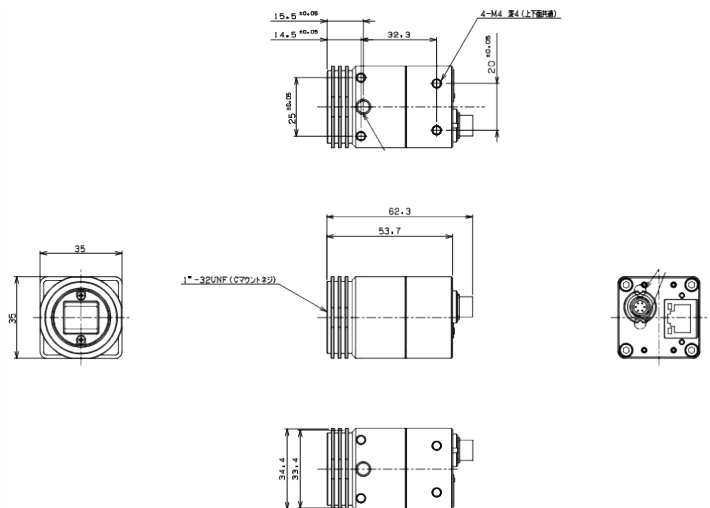
## Specifications

Model Numbers	: STC-SCS241POE (Color) STC-SBS241POE (Monochrome)
Image Sensor :	: 1/1.2" 2.3M Color CMOS (Sony: IMX174) 1/1.2" 2.3M Mono CMOS (Sony: IMX174)
Shutter Type	: Global Shutter
Active Picture	: 1920 (H) x 1200 (V)
Elements	
Cell Size	: 5.86 (H) x 5.86 (V) $\mu\text{m}$
Scanning Mode	: Full Scanning (Full Resolution) / ROI
Frame Rate	: 45 fps
Sync System	: Internal
Video Output::	: 8 / 10 / 12 bit RAW, BayerGR 8 / 10 / 12, BayerGR10 / 12Packed, RGB8Packed (Default: 8bit)
Noise Level	:
- @ 8bit output	: $\leq 1.3$ Digital (Gain 0 db)
- @ 10bit output	: $\leq 5.5$ Digital (Gain 0 db)
- @ 12bit output	: $\leq 22$ Digital (Gain 0 db)
ALC	: Auto Shutter / Auto Gain / Manual (Default: Auto Shutter: OFF, AGC: OFF)
Electronic Shutter:	: 30 useconds to 16,777,215 useconds
Gain	
- Analog	: 0 ~ 24 dB (Default: 0 dB)
- Digital:	: 0 ~ 6 dB (Default: 0 dB)
ROI:	: Horizontal: 16 to 1920 pixels / Vertical: 2 to 1200 pixels Adjustable steps for the image size: 8 pixels horizontal and 2 lines vertical, Adjustable steps for offset: 8 pixels horizontal / 2 lines vertical.
Gamma	: Gamma 1.0 or uploadable gamma table (Default 1.0)
Binning Function	: Not Supported
Decimation Function:	Individual x 2 Horizontal , Vertical decimation
Mirror Image	: Horizontal / Vertical / Horizontal & Vertical / Off (Default: Off)
ROI Function	: Variable ROI settings through the communication
White Balance	: Auto / Manual / Push-to-Set (Default: Manual) (Color only)
Operating Mode	: Free-run / Edge Preset Trigger / Pulse Width Trigger (Default: Free Run)
Communication	: UART communication through the Ethernet Port
Interface	: IEEE802.3af CLASS2 (1000BASE-T)
Protocol	: GigE Vision 1.2 <sup>®</sup> and Genicam™ Standard Version 2.1 (SFNC 1.4)
Input / Output	: One opt-isolated input and two open collector outputs
Power	
- Input Voltage	: + 10.8 to 26.4 Vdc
- Consumption	: TBD (+12V: 3.0W, +24V: 3.6W, PoE: 3.0W)
Dimensions	: 35 (W) x 35 (H) x 53.4 (D) mm (Excluding connectors) (Color) 35 (W) x 35 (H) x 53.7 (D) mm (Excluding connectors) (Mono)
Optical Filter	: IR Cut Filter (Color only)
Lens Mount	: C Mount
Connectors	: RJ45 Connector Power-I/O Connector: HR10A-&r-6PB (Hirose) or equivalent
Weight	: Approx. 100g
Stand. Compliancy	: EMS: EN61000-6-2, EMI: EN55011, RoHS Compliant

## Spectral Sensivity



## Dimensions



※Specifications are subject to change without notice.