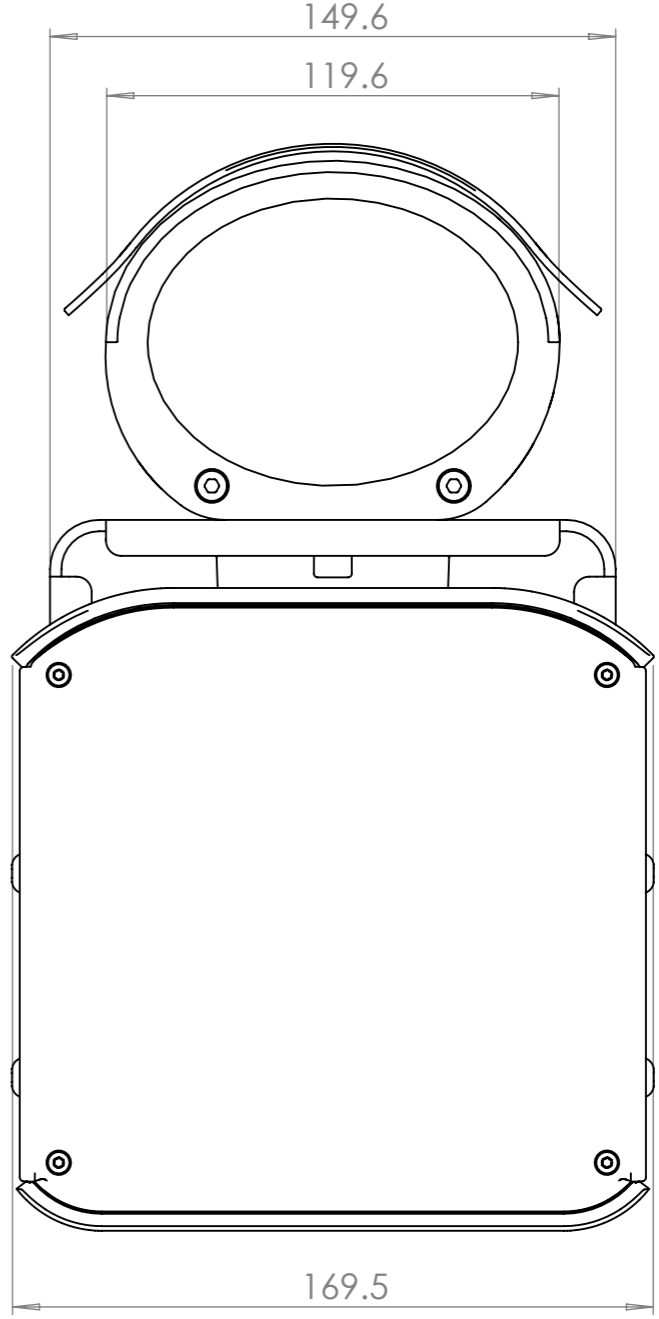
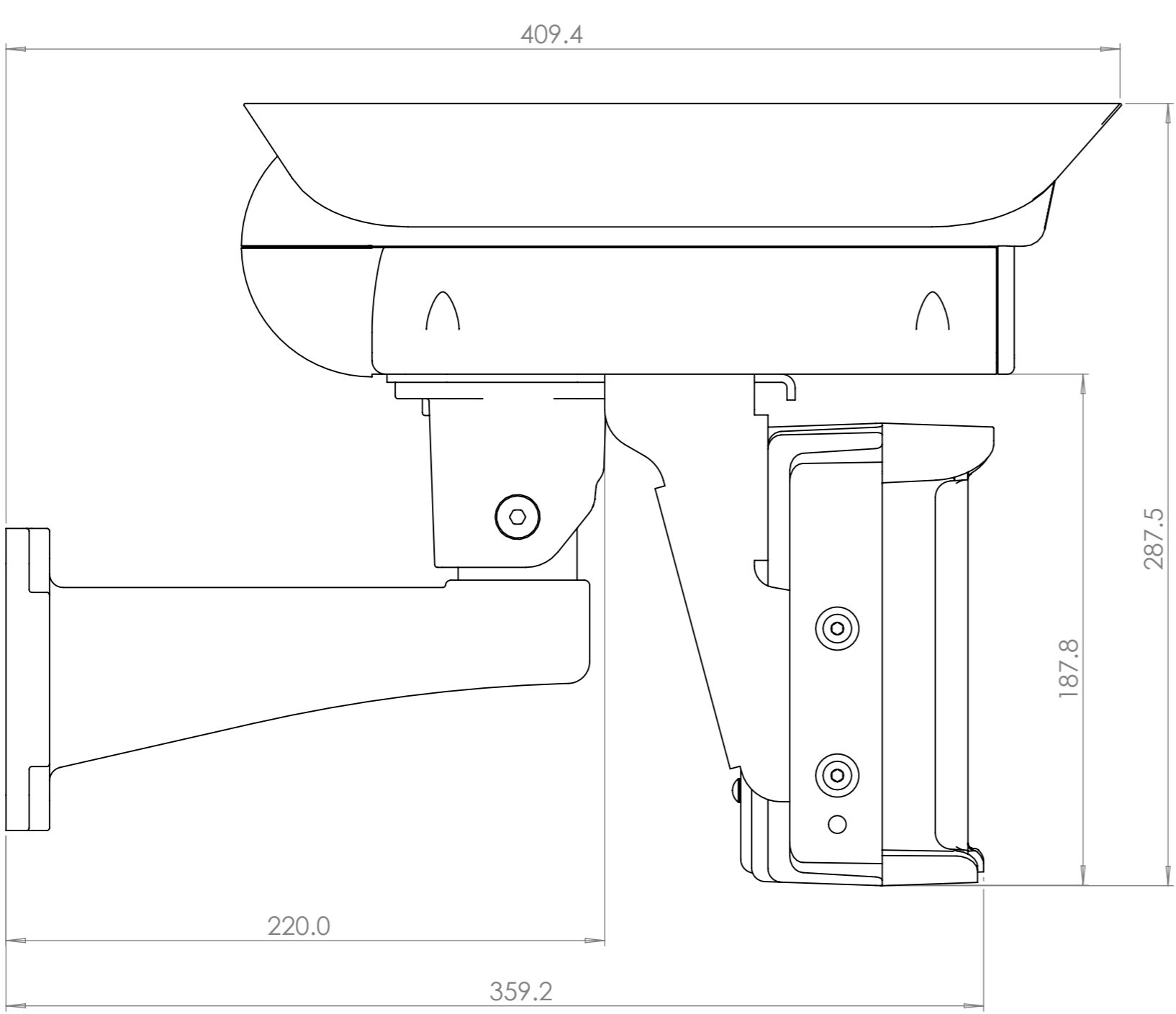


REVISIONS				
ZONE	REV.	DESCRIPTION	DATE	APPROVED
	1	INITIAL RELEASE	3/4/2013	FCH



	NAME	SIGNATURE	DATE
DRAWN			
CHK'D			
APPV'D			



TITLE: VIS-1000 SERIES WITH ARECONT HSG2 AND CUSTOM MOUNT

DWG NO. VIS-1000 and Arecont_HSG2_Assy	REVISION: 1
SCALE: 1:5	A3
SHEET 1 OF 1	