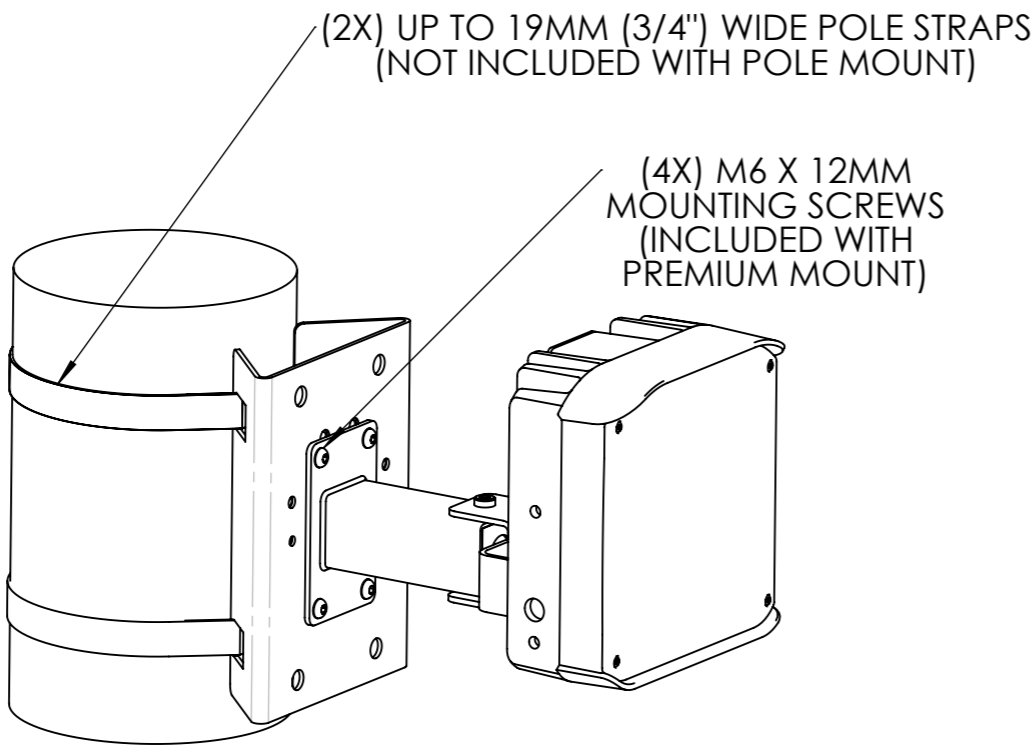
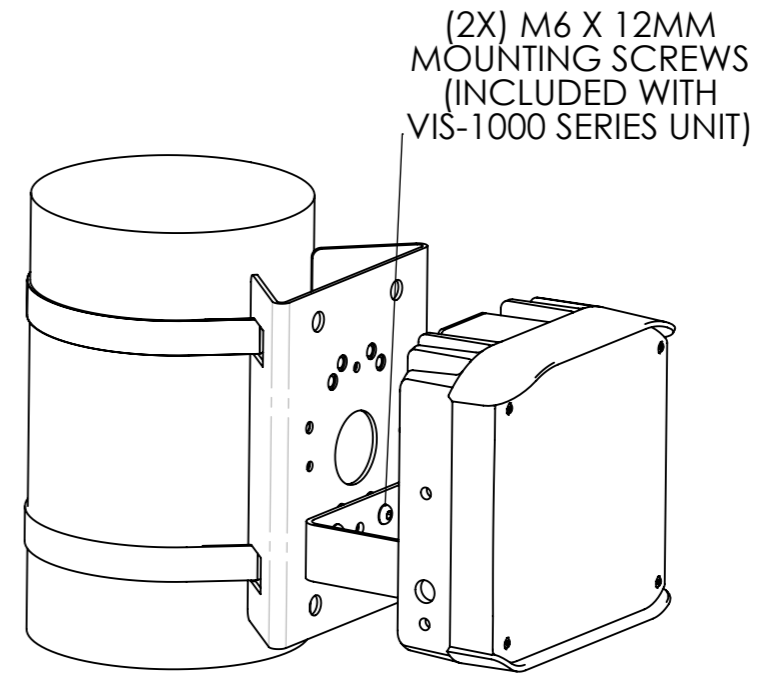


REVISIONS				
ZONE	REV.	DESCRIPTION	DATE	APPROVED
	1	INITIAL RELEASE	10/18/2012	FCH

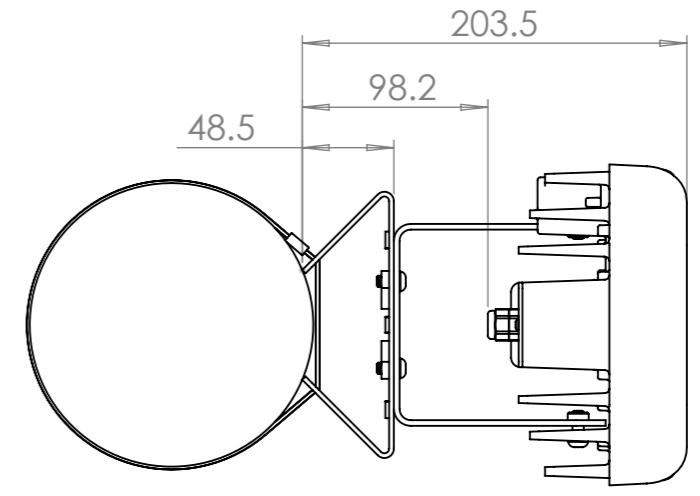
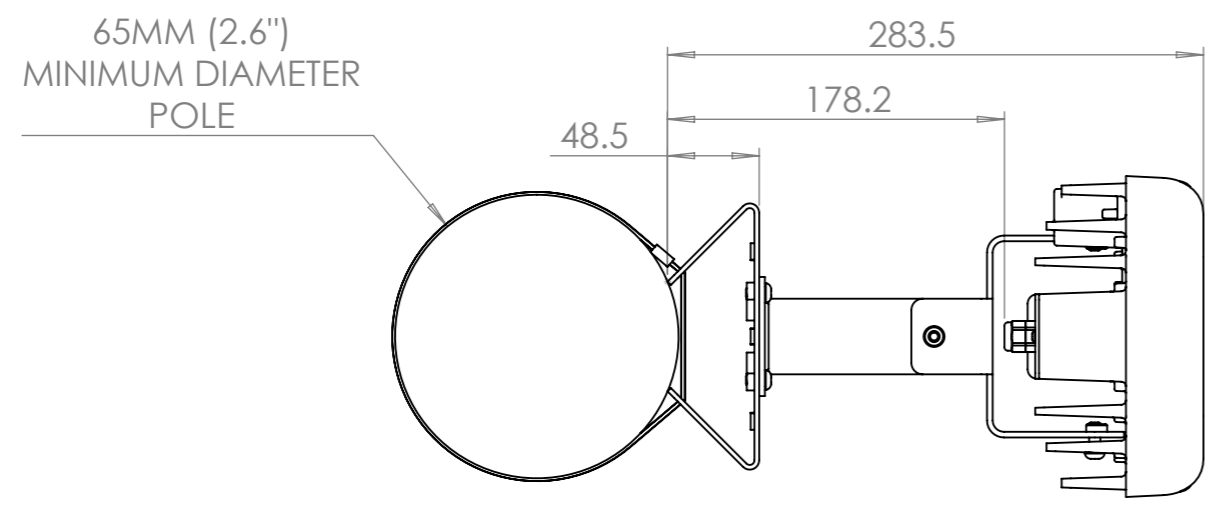
NOTES:
ALL DIMENSIONS IN MM UNLESS NOTED.



POLE MOUNT WITH PREMIUM PAT/TILT MOUNT



POLE MOUNT WITH STANDARD MOUNT



NAME	SIGNATURE	DATE
DRAWN		
CHK'D		
APPV'D		

NuOPTIC

TITLE: **VIS-1000, POLE MOUNT INSTALLATION DRAWING**

DWG NO. VIS-1000_Pole_Mount_Installation_Drawing

SCALE: 1:5

SHEET 1 OF 1

REVISION: **1**
A3