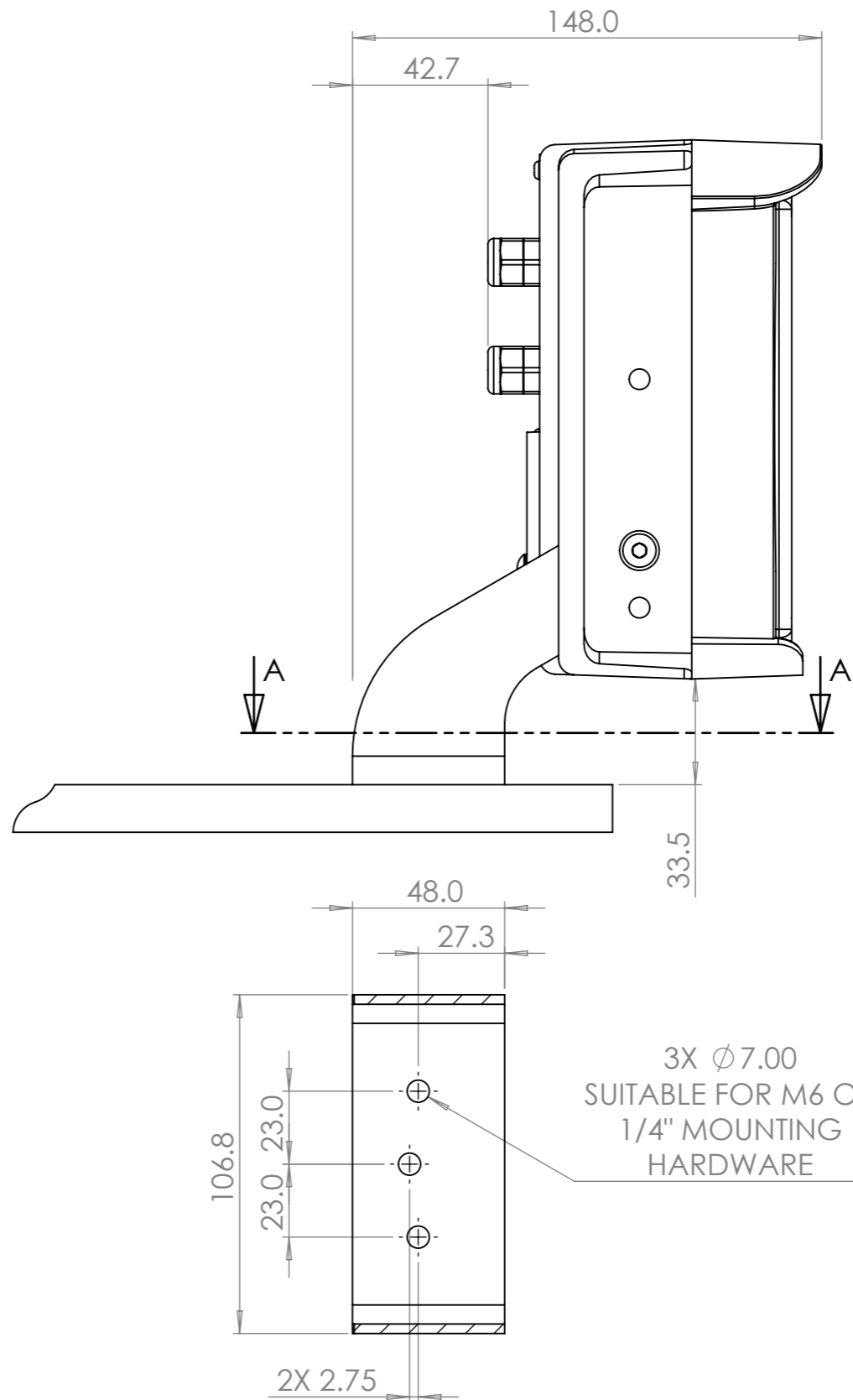
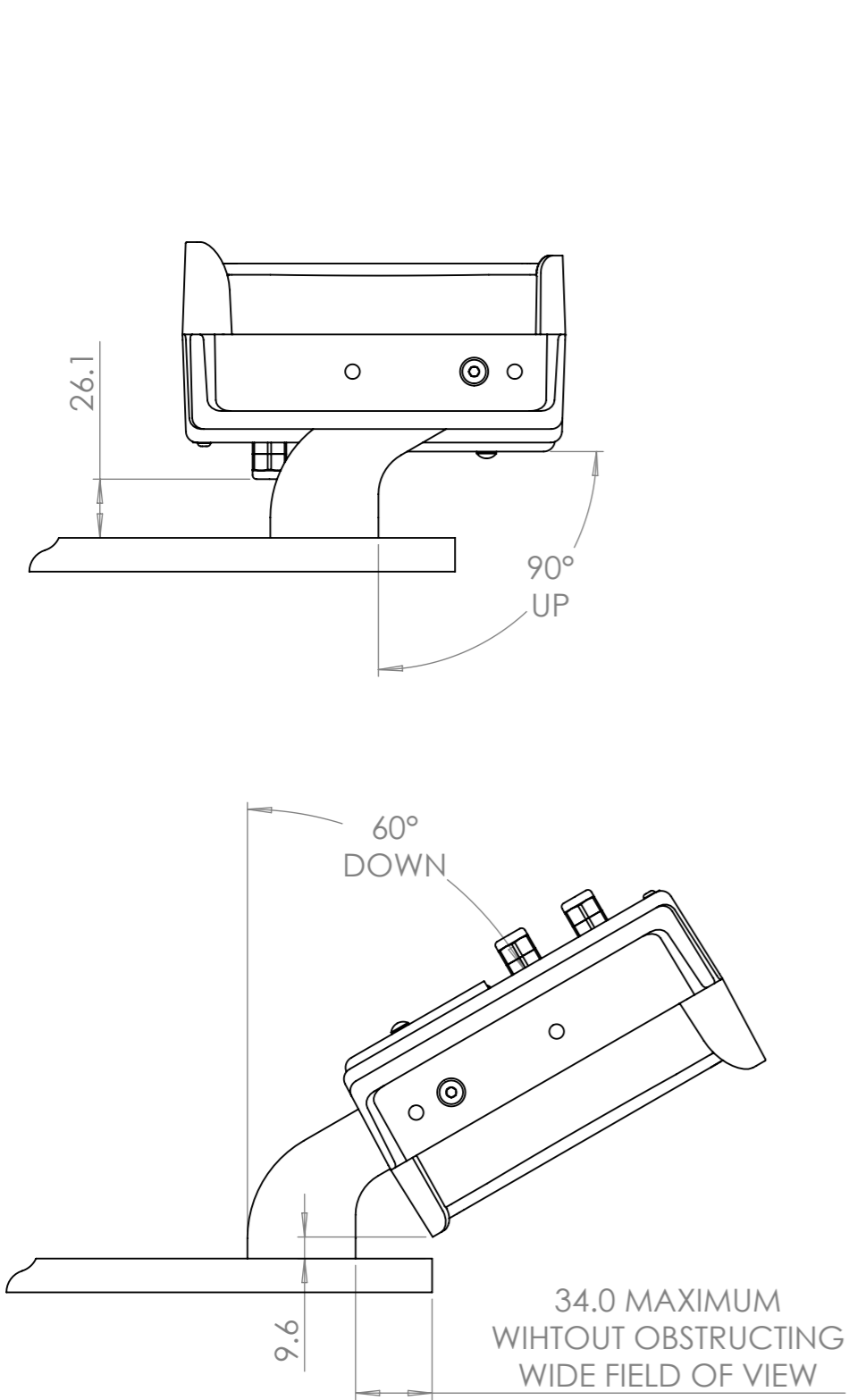


REVISIONS				
ZONE	REV.	DESCRIPTION	DATE	APPROVED
	1	INITIAL RELEASE	10/18/2012	FCH

NOTES:
ALL DIMENSIONS IN MM UNLESS NOTED.



	NAME	SIGNATURE	DATE
DRAWN			
CHK'D			
APPV'D			



TITLE:		VIS-1000, HORIZONTAL SURFACE MOUNT INSTALLATION DRAWING	
DWG NO.		VIS-1000_Horizontal_Surface_Mount_Installation_Drawing	
SCALE:1:50		SHEET 1 OF 1	
REVISION:		1 A3	