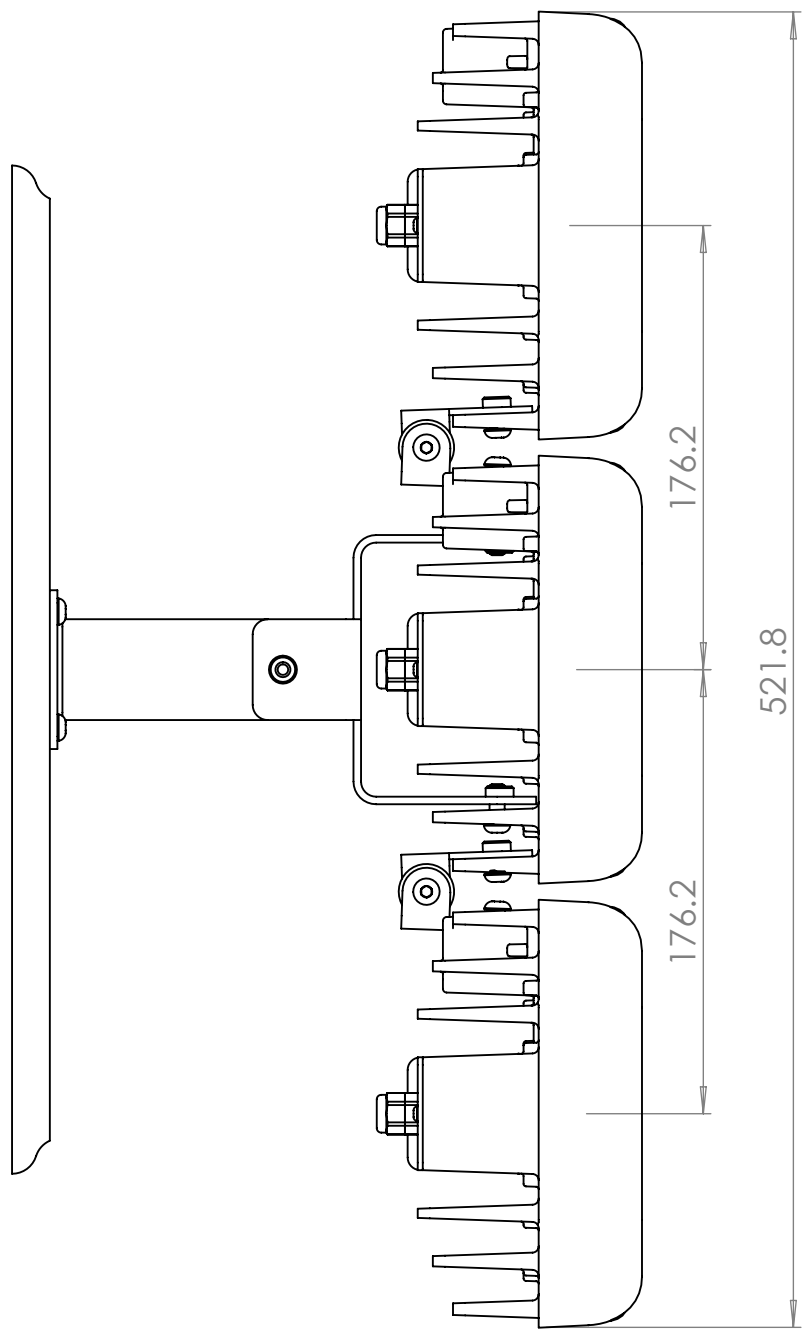
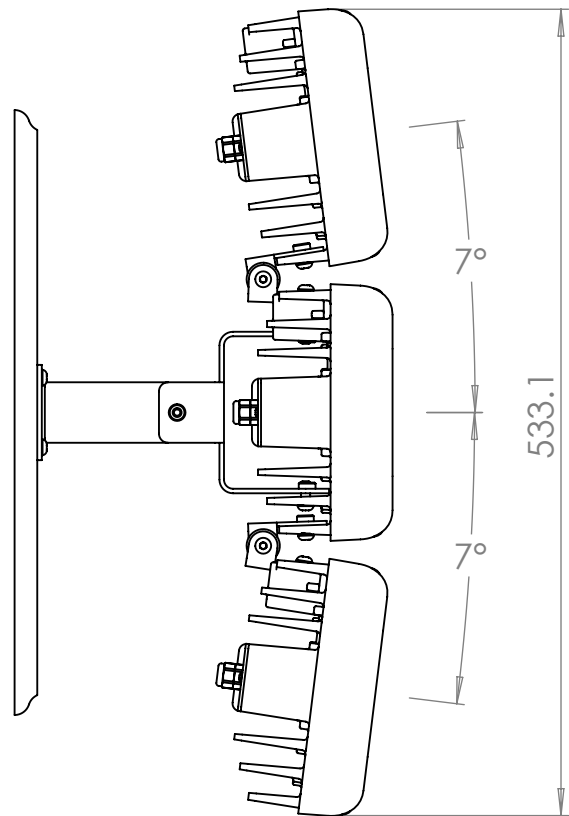


REVISIONS				
ZONE	REV.	DESCRIPTION	DATE	APPROVED
	1	INITIAL RELEASE	10/18/2012	FCH

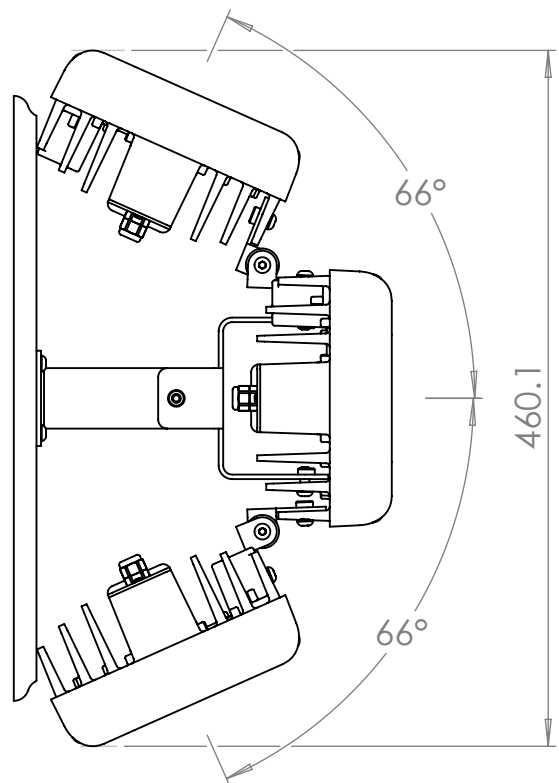
NOTES:  
ALL DIMENSIONS IN MM UNLESS NOTED.



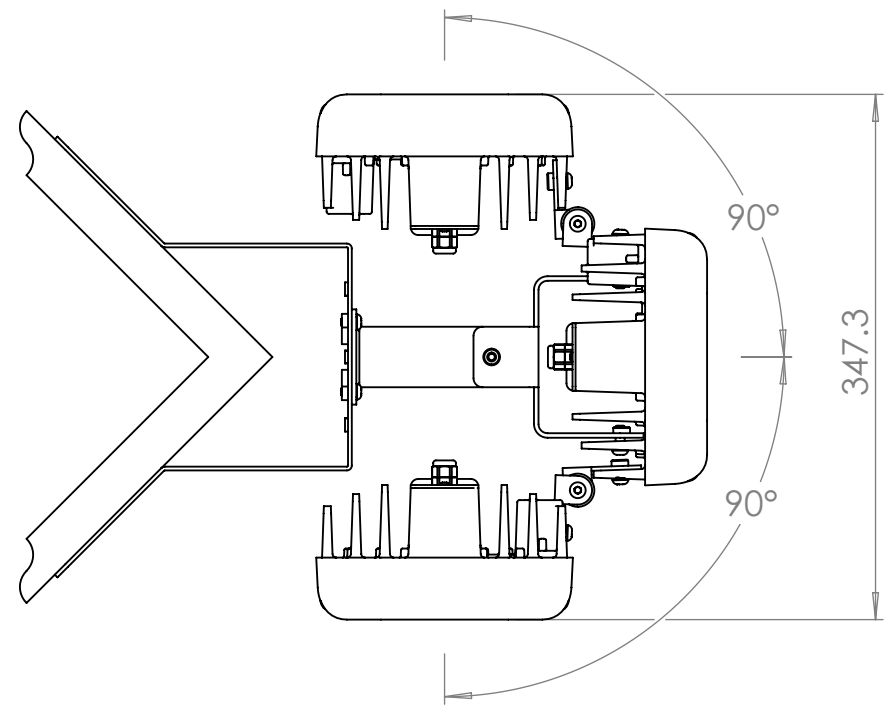
0 DEGREE DIVERGENCE  
FOR OVERLAPPING  
FIELDS OF VIEW



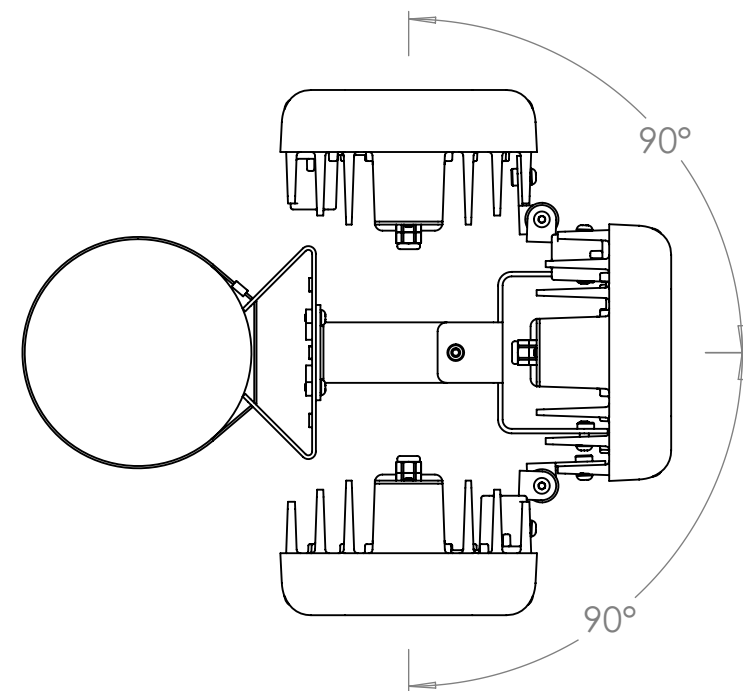
7 DEGREE DIVERGENCE  
FOR TANGENT FIELDS OF VIEW  
AT NARROW SETTINGS



66 DEGREE DIVERGENCE  
FOR WIDEST FIELD OF VIEW  
WHEN MOUNTED AGAINST WALL



90 DEGREE DIVERGENCE  
FOR TANGENT FIELDS OF VIEW  
AT WIDEST SETTINGS  
WITH POLE OR CONER MOUNTS



	NAME	SIGNATURE	DATE	TITLE:
DRAWN				VIS-1000, GANG MOUNT INSTALLATION DRAWING
CHK'D				
APPV'D				



DWG NO. VIS-1000\_Gang\_Mount\_Installation\_Drawing

REVISION:  
1  
A3

SCALE:1:5

SHEET 1 OF 1