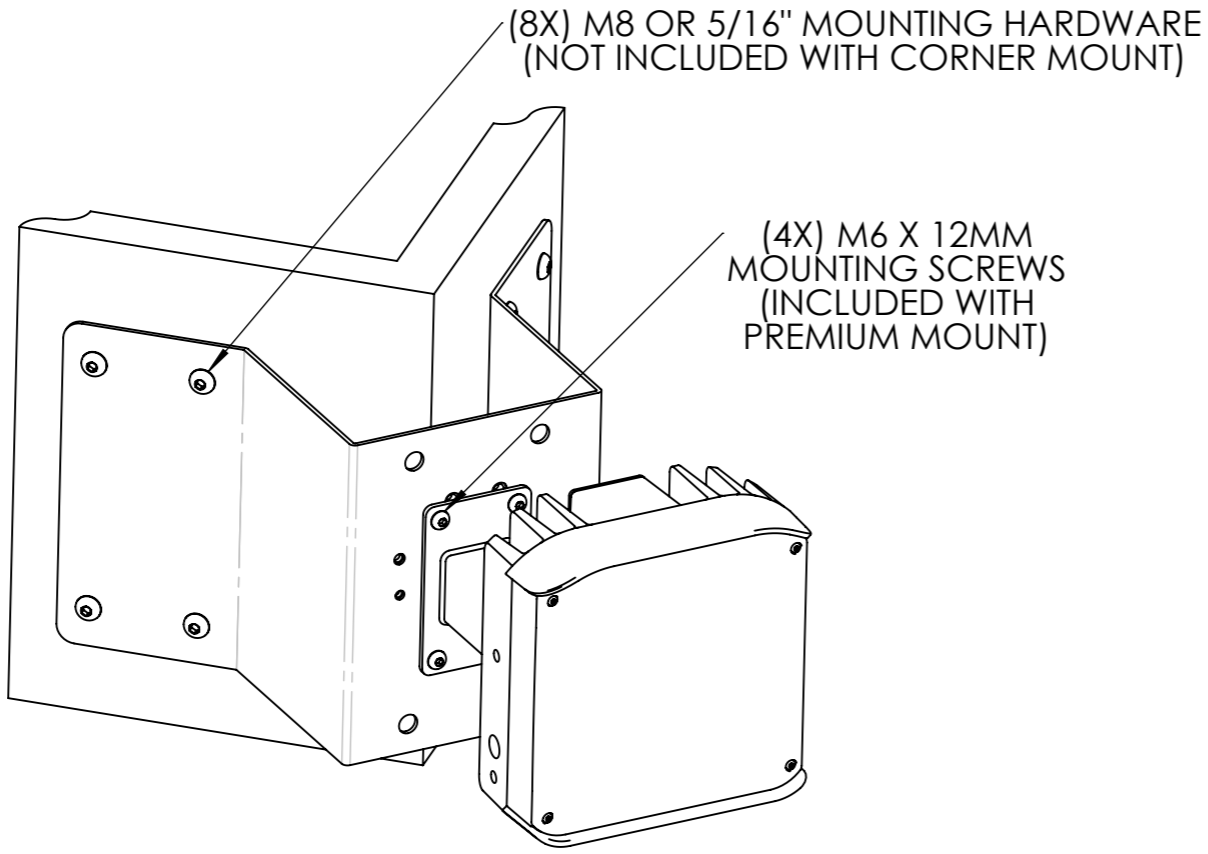
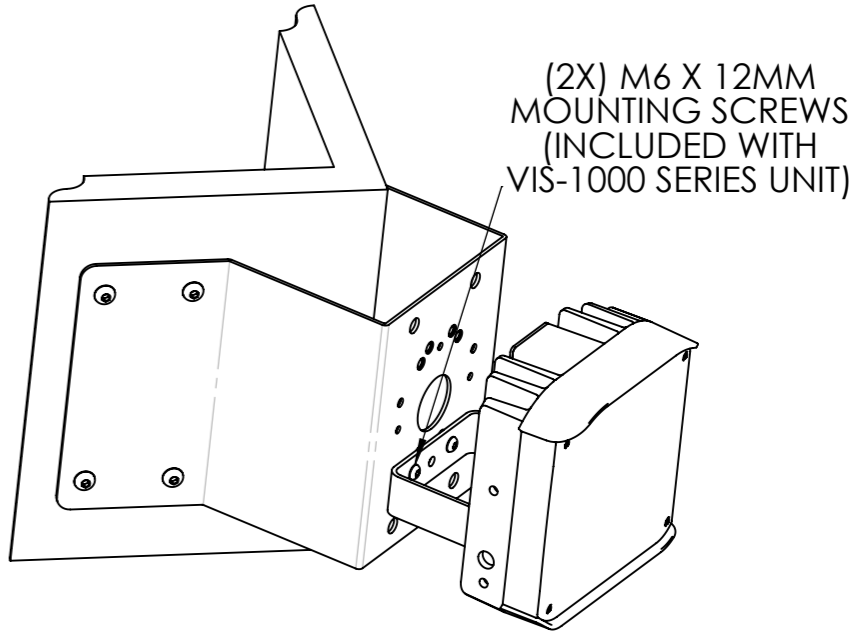


REVISIONS				
ZONE	REV.	DESCRIPTION	DATE	APPROVED
	1	INITIAL RELEASE	10/18/2012	FCH

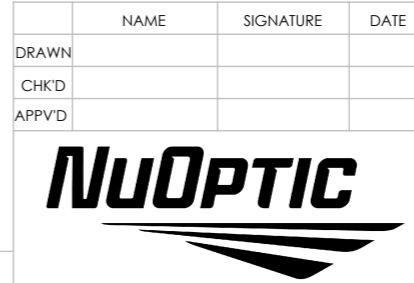
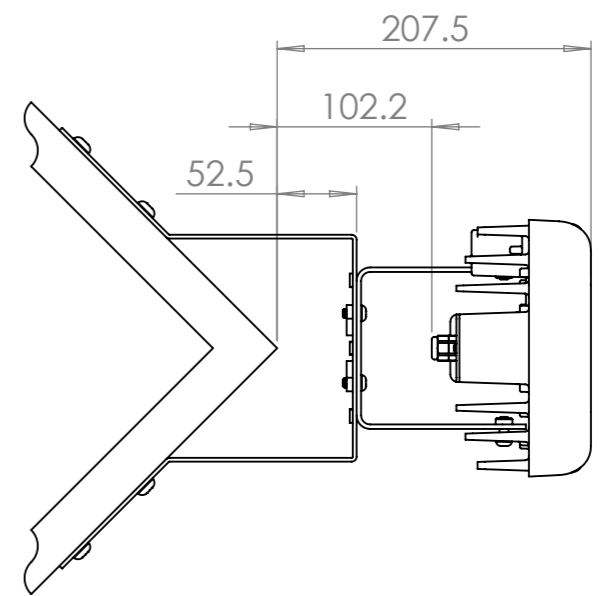
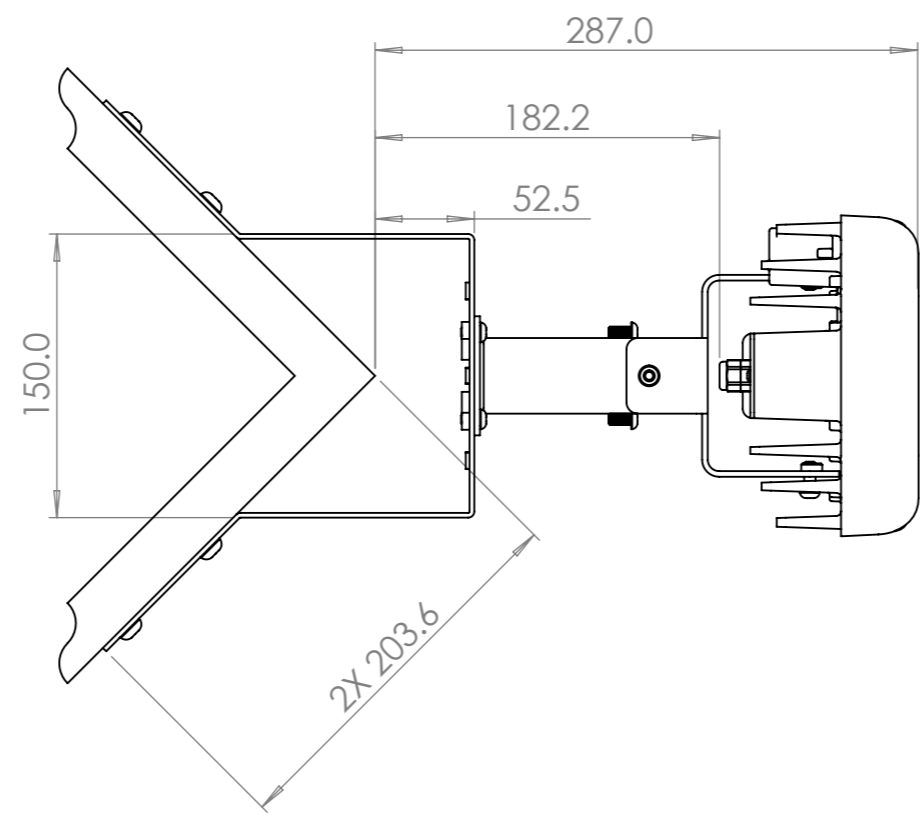
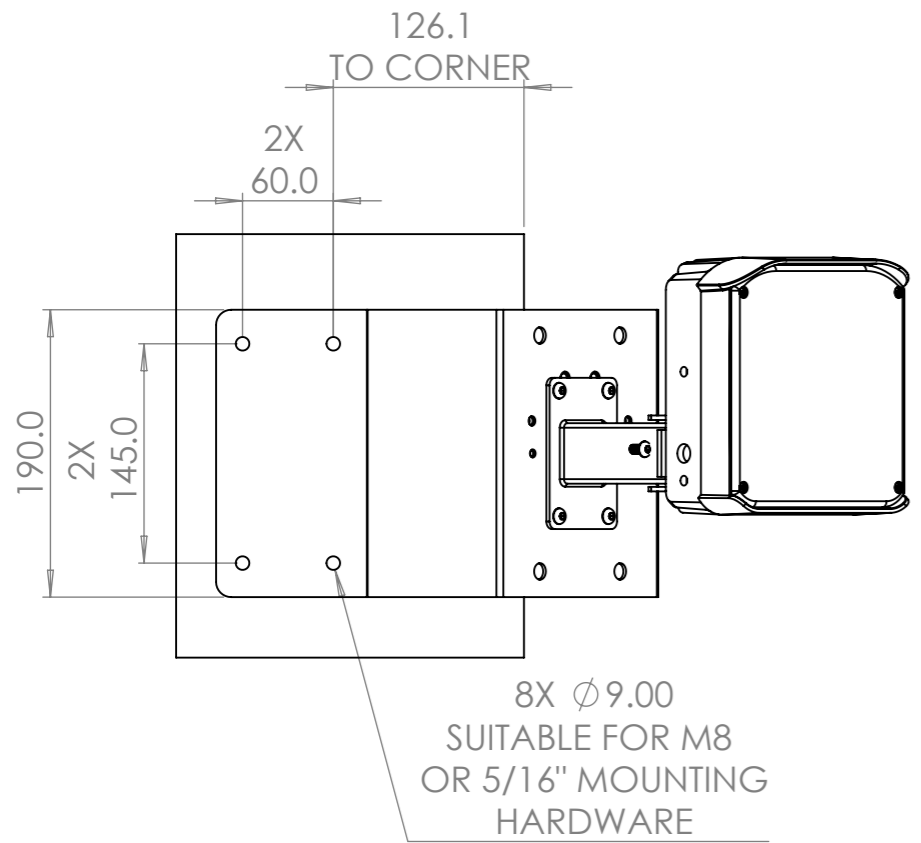
NOTES:
ALL DIMENSIONS IN MM UNLESS NOTED.



CORNER MOUNT WITH PREMIUM PAT/TILT MOUNT



CORNER MOUNT WITH STANDARD MOUNT



NAME	SIGNATURE	DATE	TITLE:
			VIS-1000, CORNER MOUNT INSTALLATION DRAWING
DRAWN			DWG NO.
CHK'D			VIS-1000_Corner_Mount_Installation_Drawing
APPV'D			REVISION:
			1
			A3
SCALE:1:5			SHEET 1 OF 1