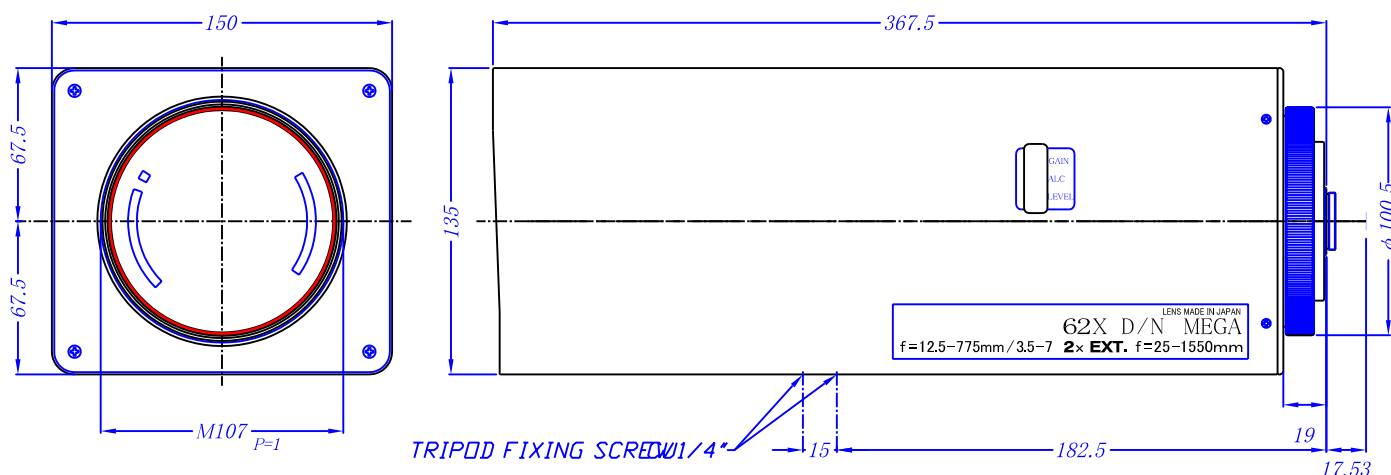


HZ62X1235VPXFIR

Type	AI ZOOM	Mount	C	1/2"		
Focal Length	12.5~1550mm	Back Focus	42.29mm			
Fno.	F3.5	Mechanical Bf	17.53mm			
Designed Image Format	1/2"(4.8x6.4mm)	Exit Pupil	-167.31mm			
Operation Range	Iris	F3.5-CLOSE	Filter Size	-		
	Focus	5.0m ~ infinity	Aperture	Front	∅ -	
	Zoom	12.5~1550mm		Rear	∅ -	
Control	Iris	DC Motor	Dimension	150x135x367.5mm		
	Focus	DC Motor		Weight	5950 g	
	Zoom	DC Motor				
Object Size at MOD	Wide	2454.0x 1842.0mm				
	Tele	39.4x 29.6mm				
Field of View	D	-	1/3"	-		
	H	1/2" 28.8°~0.24°		21.8°~0.18°		
	V	21.8°~0.18°		16.4°~0.13°		
Control	Iris	Focus	Zoom			
Driving Coil/Supply Volt.	DC 8.5-16V	DC 6-12V	DC 6-12V			
Damping Coil/Current	30mA or less	60mA or less	60mA or less			
Response Time	about 2 sec.	about 8 sec.	about 8 sec.			
Potentiometer	-	-	-			
Light Measuring Method	Average to Peak(Factory set at Average)					
Input Signal	Video Signal (V or VS)					
Iris Accuracy	±15% at Video Signal Level					
Sensitivity Adjustment	0.4~1.0Vp-p(Video Signal)					
Operating Temperature	-10 ~ +50 degree C					

DIMENSIONS



CABLE CONNECTION

IRIS

4 - PIN PLUG

- ① DC+8.5V - 16V
- ② -
- ③ VIDEO SIGNAL
- ④ GROUND

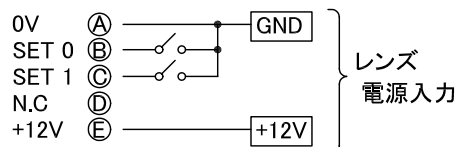
DRIVE

HDAB-15P(HIROSE)

- FOCUS { ① + FAR
- { ② -
- ZOOM { ③ + WIDE
- { ④ -
- POTENTIO { ⑩ LENS POT.(+)
- METER { ⑪ F.POT WIP
- { ⑫ Z.POT WIP
- { ⑬ LENS POT.(-)
- EXTENDER { ⑭ + 2x
- { ⑮ -

FILTER

R05-R5M(TAJIMI)



近赤外波長選択

SET 0	SET 1	フィルター
OFF	OFF	可視光
ON	OFF	850nm
OFF	ON	880nm
ON	ON	950nm