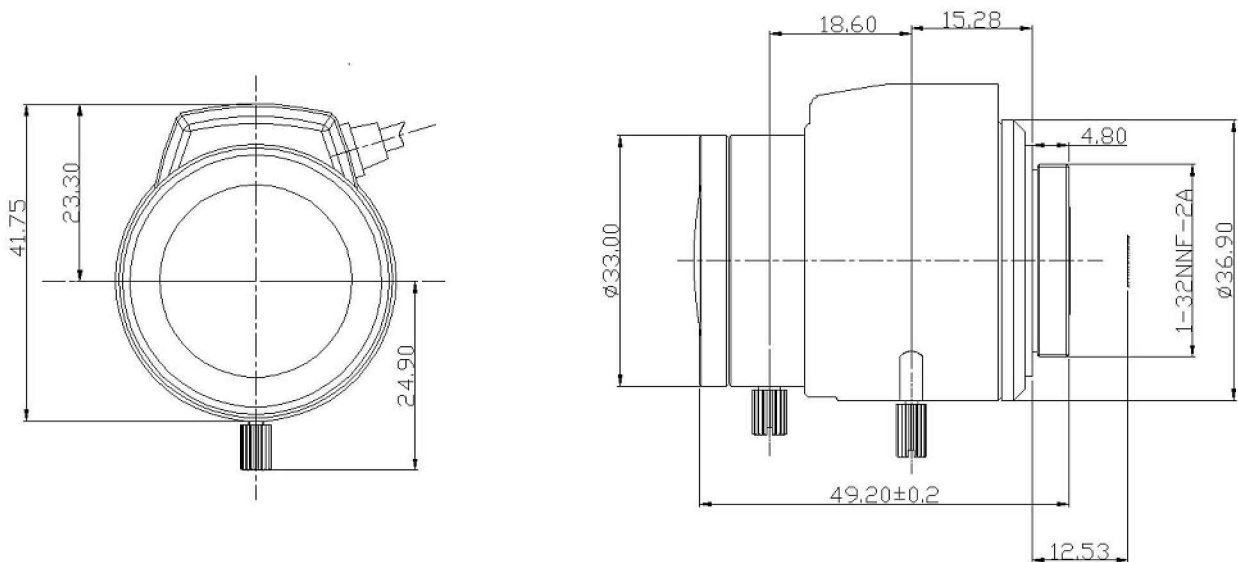


MSV4X2813D

2 Mega Pixel **ADL**

Type	AI VARI		Mount	CS		
Focal Length	2.8~12mm		Back Focus	5.48~17.97mm		
Fno.	F1.3		Mechanical Bf	4.88~17.37mm		
Designed Image Format	1/2.7"(φ6.6mm)		Exit Pupil	—		
Operation Range	Iris	F1.3-F360	Filter Size	—		
	Focus	0.1m ~ infinity	Aperture	Front	φ22.7	
	Zoom	2.8~12mm		Rear	φ7.4	
Control	Iris	DC Galvanometer	Dimention	φ33X46.4		
	Focus	Manual		Weight	70g	
	Zoom	Manual				
Object Size at MOD	Wide	—				
	Tele	—				
Field of View	D	160°~30.4°	1/3" (4:3)	140°~27.5°		
	H	122°~22.6°		105°~22.0°		
	V	84°~16.8°		74.5°~16.5°		
Control	Iris		Focus	Zoom		
Driving Coil/Supply Volt.	190Ω ±10%		—	—		
Damping Coil/Current	560Ω ±10%		—	—		
Response Time	—		—	—		
Potentiometer	—		—	—		
Light Measuring Method	—					
Input Signal	—					
Iris Accuracy	—					
Sensitivity Adjustment	—					
Operating Temperature	-10°C ~ +50°C					

DIMENSIONS



Wiring Diagram

1) 4 Pin Standard Connector for Auto Iris

Pin No.1	Damping (-)
2	Damping (+)
3	Driving (+)
4	Driving (-)

