



for
Surveillance use

- Highway Surveillance
- River Surveillance
- Water Reserved in Dam
- Harbor Surveillance
- Intersection Surveillance



PTC-113

HDIP

Compact All-In-One Outdoor PTZ Camera

Main features

•Pan/tilt head functions

- Full-HD 1080p 30
- The model will support Onvif.
- Day/Night 1/2.8 inch CMOS HD camera.
- Output of high definition video signal (video compression H.264/JPEG)
- 10/100 Base-T transmission method.
- User selectable! LAN cable type or optical cable type. (optical converter built-in)
- High-speed tracking by pan/tilt mechanism.
- Maximum rotation speed. Pan: 120°/sec., Tilt: 45°/sec. (at preset)
- 255 preset positions.
- Wiper, defroster glass, fan and heater.
- IP-66 water-proof standard.
- Operated even at 40 meter/sec. wind.
- 20°~ +45°surrounding temperature.

Specifications

•General specifications

Installation conditions	Outdoor, upright use or hanging use.
Power supply	100VAC
Control method	Ethernet
Weight	Approx. 8.7kg (net)

•Camera functions

Resolution	1920×1080
Minimum illumination	Standard color mode: 1.7 lx Standard B/W mode :0.3 lx

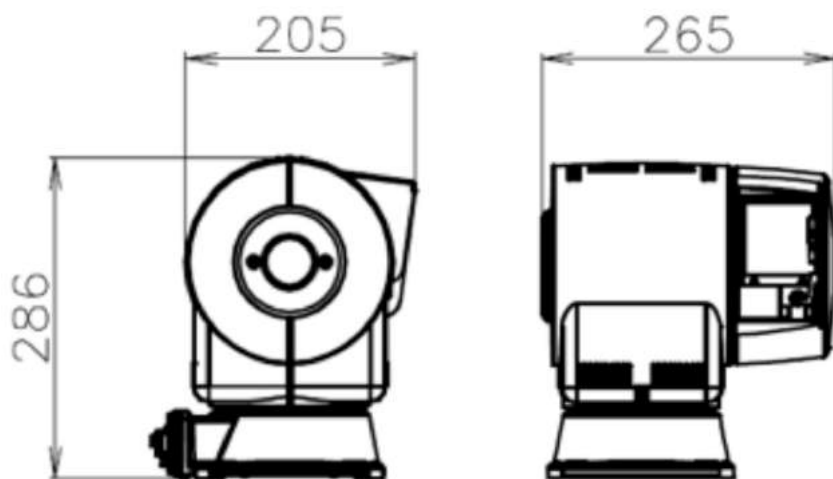
•Lens functions

Zoom ratio	Optical 30×, Digital 12×(Maximum 360×)
Focus length	f/4.3~129mm(F1.6(Wide)~F4.7(Tel))

•Pan/tilt head functions

Turning angle	Horizontal 360°endless Vertical ± 90°
Speed	Horizontal: Manual 0.1°/sec.(Tele)~30°/sec.(Wide) Vertical :Manual 0.1°/sec.(Tele)~15°/sec.(Wide) Position repeatability: ±0.3°or lower (horizontal and vertical)

External of view(unit: mm)



For safety use

- The use power supply is 100VAC, when you supply high voltage, please lower the voltage with a down transformer.
- Specifications and appearance may change without notify beforehand.

SENKO ADL

450 Donald Lynch Boulevard - D, Marlboro, MA 01752 USA

Tel: +1-508-481-9999 Fax: +1-508-481-7676-9999 Email: Sales-Americas@senko.com