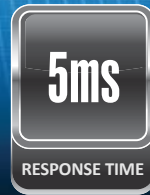


# LED

## BASIC LED MONITOR SERIES



# 21REDB

## BUILT TO RUN 24 X 7 X 365 CONTINUOUSLY

### OVERVIEW

The ORION LCD w/ LED BLU (backlight unit) high brightness displays are a truly professional experience in next generation technology using eco-friendly material (no mercury or halogen). This technology exceeds the NTSC color gamut standard of 100% with the LED BLU at 123% to provide a wider range of colours than ever before - you will see colors on screen as you see them in real world.

### FEATURES

- 1920 x 1080p Full HD Display Resolution
- DVI-D 1 In / VGA 1 In, PC Stereo 1 In
- LED BLU (Back Light Unit) Display Monitor
- 5ms Response, 250 NITS, 1000:1 Contrast Ratio,
- Auto Color Balance Function
- Mount Options: Wall, Ceiling or Rack



### SPECIFICATIONS

| 21REDB                        |                             |
|-------------------------------|-----------------------------|
| <b>Display</b>                |                             |
| Screen Size                   | 21.5 Inch                   |
| Max. Resolution               | 1920 x 1080 @ 60Hz          |
| Pixel Pitch                   | 0.248 x 0.248mm             |
| Brightness                    | 250cd/m <sup>2</sup>        |
| Contrast Ratio                | 1000 : 1                    |
| Aspect Ratio                  | 16 : 9                      |
| Viewing Angle (H/V)           | 170° / 160°                 |
| Display Color                 | 16.7 Million                |
| Response Time                 | < 5ms                       |
| Video System                  | NTSC / PAL                  |
| <b>Interface</b>              |                             |
| Video In / Out (BNC Type)     | 0 In                        |
| DVI-D In                      | 1 In                        |
| S-Video In / Out              | 0 In                        |
| VGA In (15Pin D-Sub)          | 1 In                        |
| Audio In (RCA Type)           | 0 In                        |
| PC Stereo In                  | 1 In                        |
| <b>Transmitter</b>            |                             |
| Remote Control                | N/A                         |
| <b>Audio</b>                  |                             |
| Built-in Speakers             | Yes (1W x 2)                |
| <b>Features</b>               |                             |
| Filter Type                   | 2D Comb Filter              |
| LCD Protection Glass          | N/A                         |
| Multi Language                | English                     |
| <b>General</b>                |                             |
| Outline Dimension (W x H x D) | 21.18" x 15.94" x 5.91"     |
| Net Weight                    | 3.99Kg (8.81 lbs)           |
| Material / Color              | ABS Plastic / Black         |
| Desk Top Stand                | Tilt Back                   |
| Part / Labor                  | 3year / 3year               |
| Consumption: < On             | < 30W                       |
|                               | AC100 ~ 240V(50/60Hz)       |
| Electrical Ratings            | DC12V / 3.5A                |
| Operating Temperature         | 0° ~ 40° C / 32° ~ 104° F   |
| Storage Temperature           | -20° ~ 60° C / -4° ~ 140° F |
| <b>Mounts</b>                 |                             |
| VESA™ Mount Size              | 75 x 75mm                   |
| Wall                          | WB-5, WB-10, WB-30, WB-31   |
| Ceiling                       | CMK-01                      |

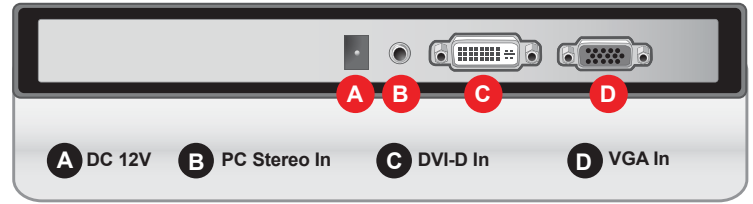
\*Design and specifications are subject to change without notice

### TILT CAPABILITY

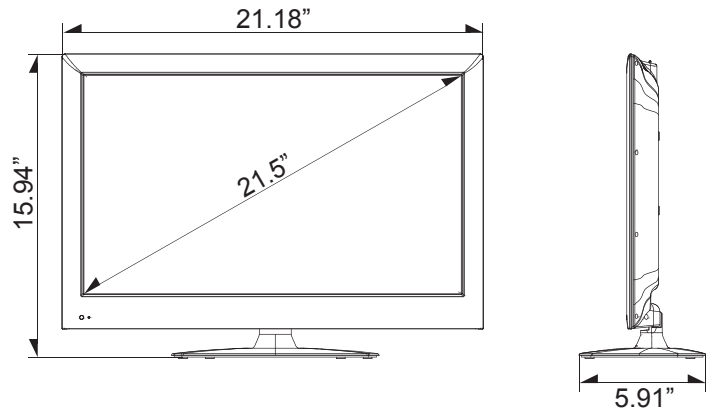
REDB series has flexible tiltable desktop stand capability



### INPUT INTERFACE



### DIMENSIONS



### OPTIONAL MOUNTS

