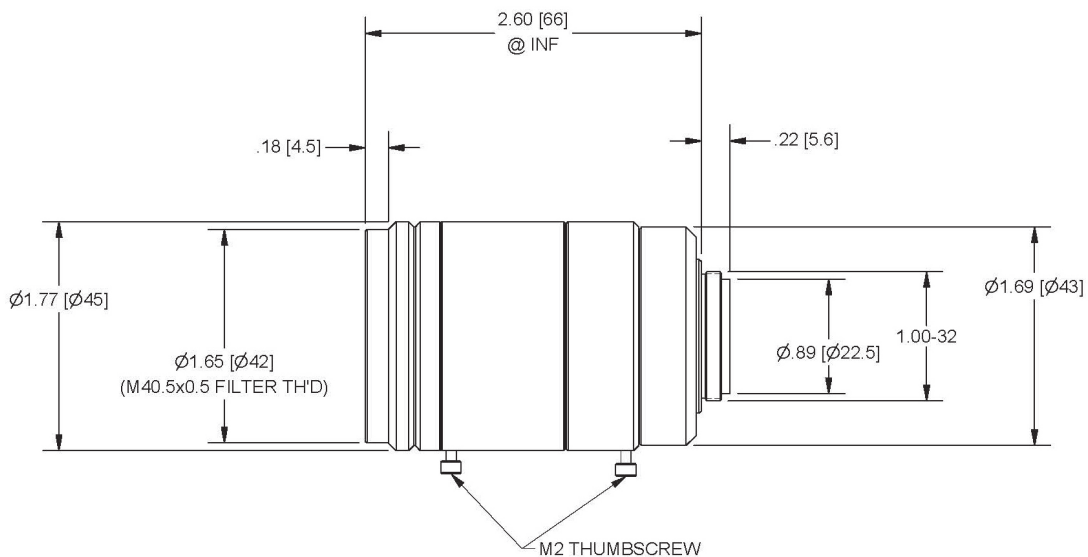
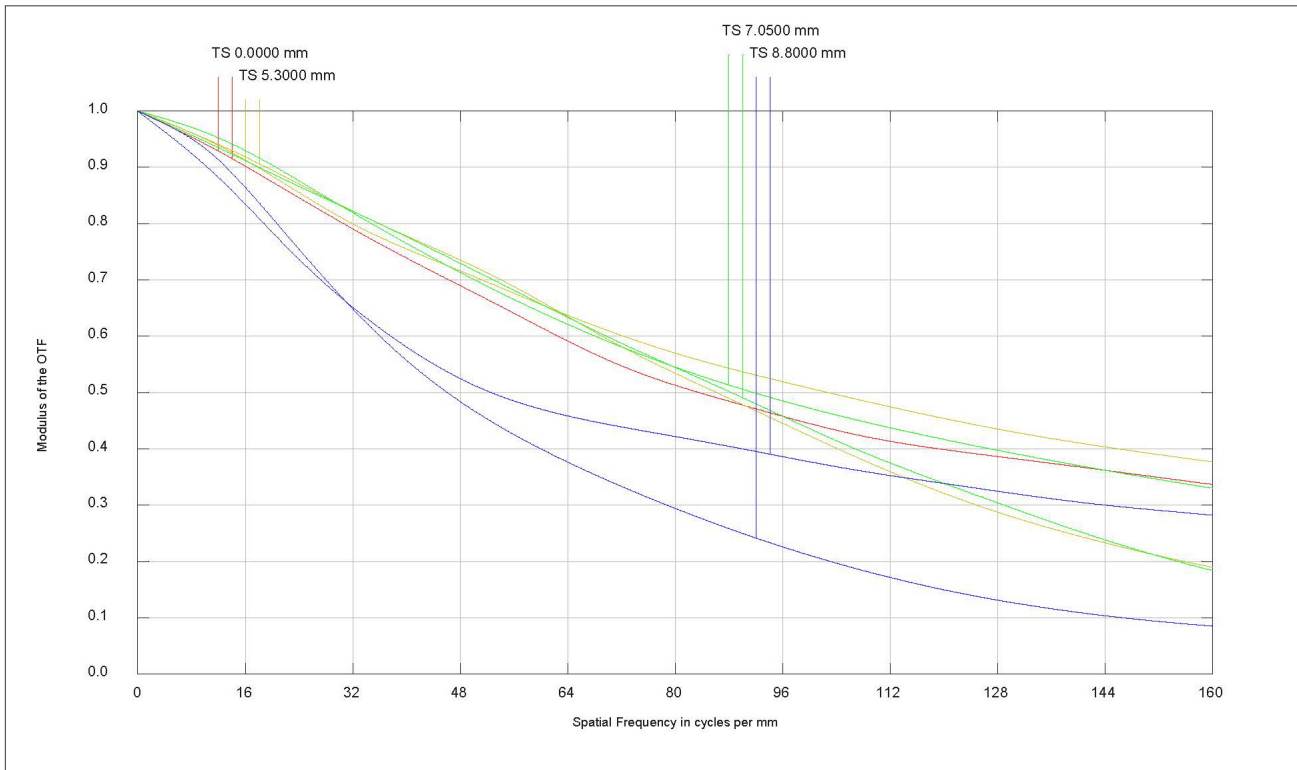


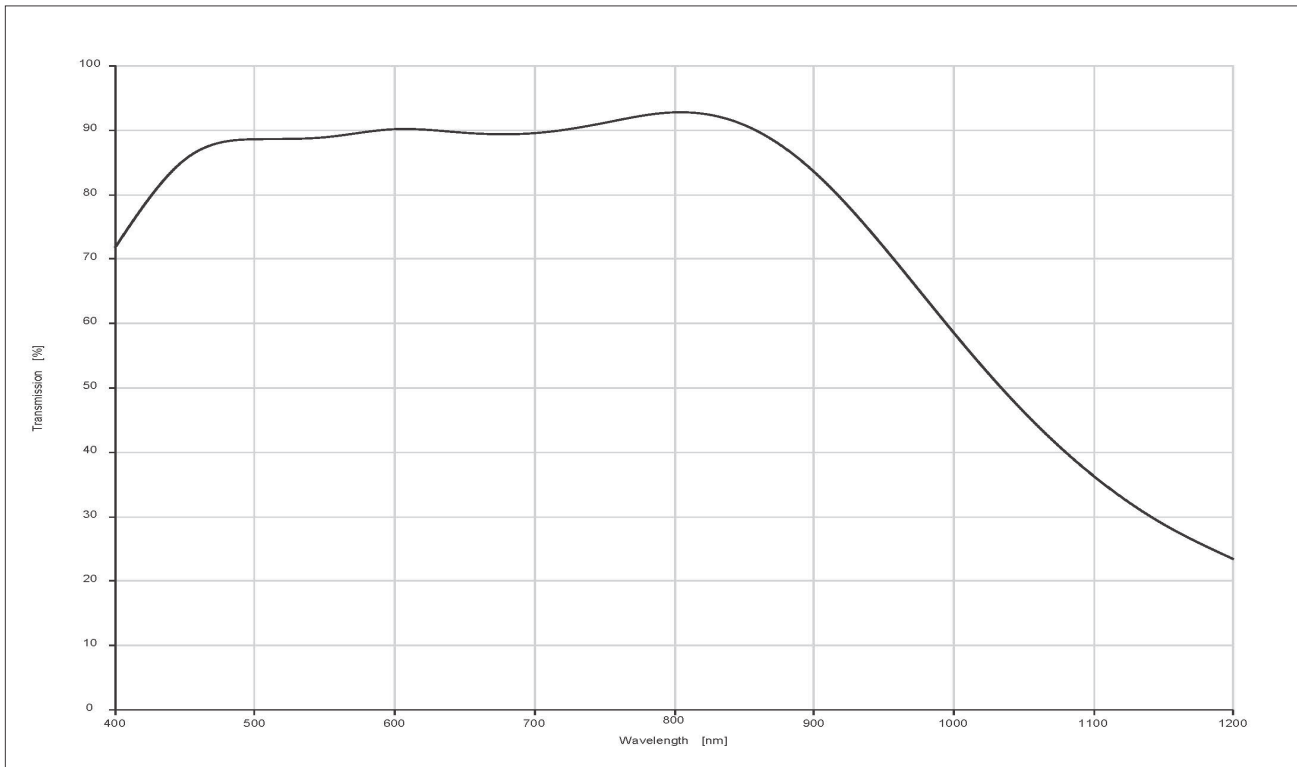
Specifications		1.1"
Focal Length		35mm
Image Range		F/1.8 - 16
Image Size		14.1 x 10.6 (Ø17.6)
Field Angle H x V (Diagonal)	1.1"	22.1° x 16.7° (27.5°)
	1"	20.2° x 15.2° (25.1°)
	2/3"	14.0° x 10.5° (17.4°)
TV Distortion		-0.01%
FOV at MOD (mm) H x V (Diagonal)	1.1"	84 x 63 (104)
	1"	76 x 57 (95)
	2/3"	52 x 39 (65)
Minimum Focus Distance		0.2m
Flange Focus		17.526mm in air
Back Focus		15.5mm in air
Filter Screw Size		M40.5x0.5
Clear Aperature - Front / Rear		Ø33.4mm / Ø16.2mm
Mount		C-Mount
Exit Pupil		-40.0mm
Temperature Range		- 10 ~ + 50° C
Storage Temperature Range		- 20 ~ + 60° C
Resolution - Center / Corner		160 lp/mm / 100 lp/mm
Weight		205g



### MTF



### Transmission



For information on our full line of NMV machine vision lenses please visit <https://www.navitar.com/NMV/>