



**5** Megapixel Zoom Lens  
High Resolution

*High End Surveillance*  
**1" Format Zoom Lens**

*Crystal  
Clear  
Optics*



**NEW**

**LMZ16160AMPDC-IR**  
1" 16-160mm / F1.9 5MP IR

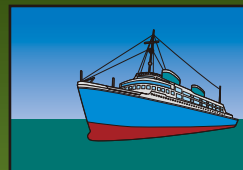


# IR-Corrected Zoom 5MP 16-160mm

At over 5 megapixels with a 1" format, the LMZ16160AMPDC-IR lens is designed to create crisp and bright images. In addition, Kowa's unique and precise inner focusing system reduces friction during focusing movement and produces a more stable image. This lens is ideal for airport, port, station, ITS, and other high end surveillance applications.

### Top Features :

- ◆ High Resolution of Over 5 Megapixels
- ◆ Fast F-stop of F1.9
- ◆ Incorporates XD (eXtra low Dispersion) Glass
- ◆ Wide-Band Lens Coating Increases Light Transmission
- ◆ Precise Inner Focusing System



**10x**



**Tele 5 Megapixel Zoom**

Kowa Company, Ltd. E&O Div. Tel : +81 (3) 3279-7671 E-mail : opt-cctv@kowa.co.jp Web: www.kowa.co.jp

Kowa Optimed, Inc. Tel : +1- (310) 327-1913 E-mail : kowa-usa-info@kowa.com Web: www.kowa-usa.com

Kowa Optimed Europe, Ltd. Tel : +44(0)1276 937 021

Kowa Optimed Deutschland GmbH. Tel : +49-(0)211-179354-29 E-mail : lens@kowaoptimed.com Web: www.kowa.eu

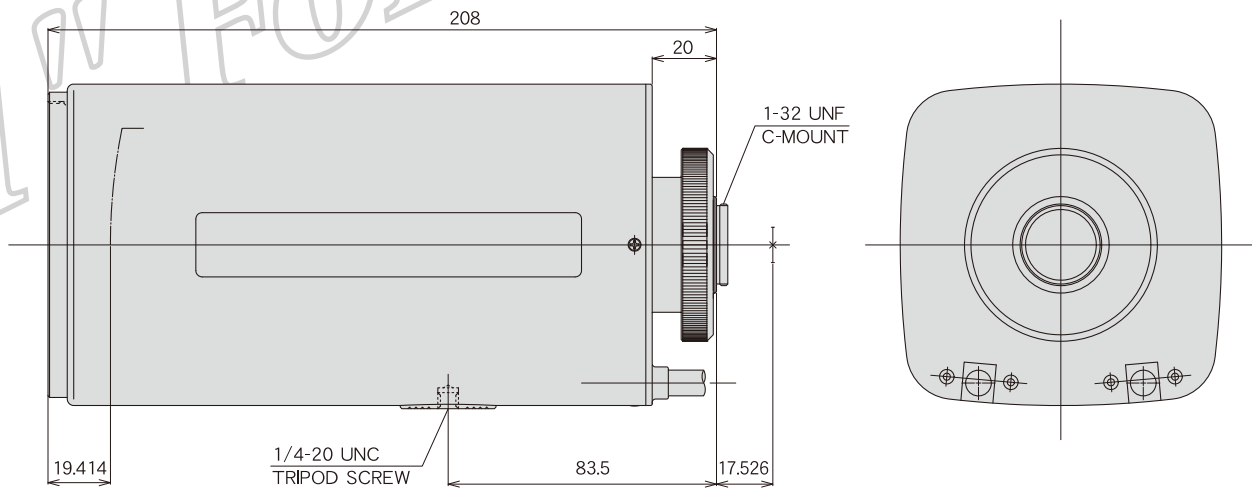
# 5 Megapixel IR-Corrected Zoom

## LMZ16160AMPDC-IR

1" 16-160mm / F1.9 5MP IR

## LMZ16160M3P-IR

1" 16-160mm / F1.9 5MP IR



### SPECIFICATION

	LMZ16160AMPDC-IR	LMZ16160M3P-IR
1. FORMAT	1"	1"
2. FOCAL LENGTH	16 – 160mm	16 – 160mm
3. IRIS RANGE	F1.9 – F22	F1.9 – F22
4. IRIS TYPE	DC	MOTOR
5. IMAGE SIZE	φ 16mm (12.8mm x 9.6mm)	φ 16mm (12.8mm x 9.6mm)
6. BACK FOCAL LENGTH	35.1mm in air	35.1mm in air
7. FLANGE FOCAL LENGTH	17.526mm in air	17.526mm in air
8. MINIMUM FOCUS DISTANCE	1.7m	1.7m
9. ANGLE OF VIEW (2/3")	DIA. (W) 52.4° (T) 5.6°	(W) 52.4° (T) 5.6°
	HOR. (W) 42.7° (T) 4.6°	(W) 42.7° (T) 4.6°
	VER. (W) 32.5° (T) 3.5°	(W) 32.5° (T) 3.5°
10. CLEAR APERTURE	FRONT φ 71mm	φ 71mm
	REAR φ 19.7mm	φ 19.7mm
11. MOUNT	C – MOUNT	C – MOUNT
12. FILTER SCREW SIZE	M89 x1.0	M89 x1.0
13. TV DISTORTION	(W) -1.4% (T) 2.8%	(W) -1.4% (T) 2.8%
14. WEIGHT	1350g	1350g

\*Specifications are subject to change without notice.

Recycled Paper