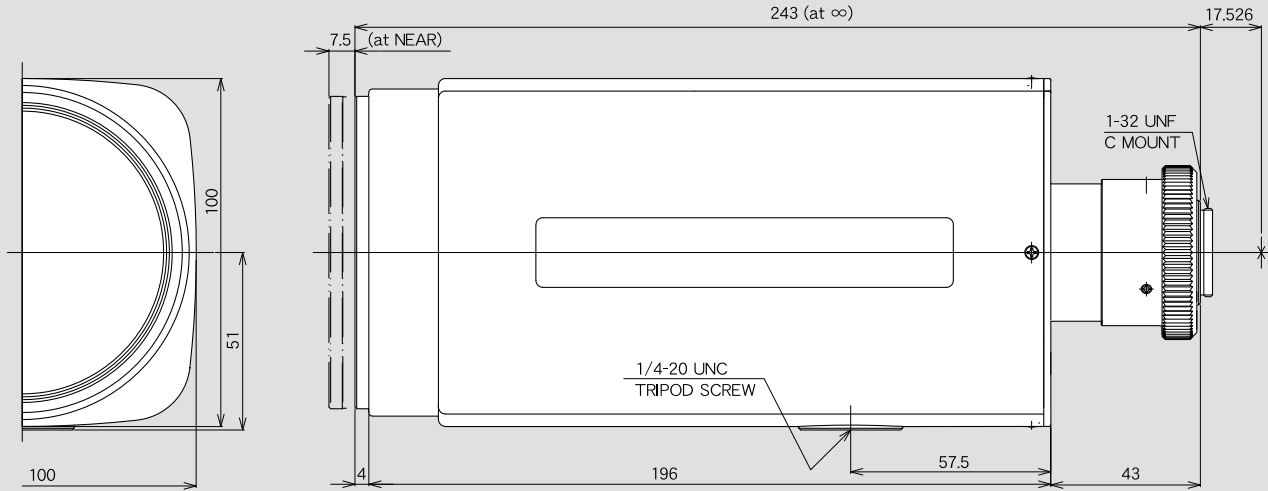


Multi-Megapixel 30X Zoom

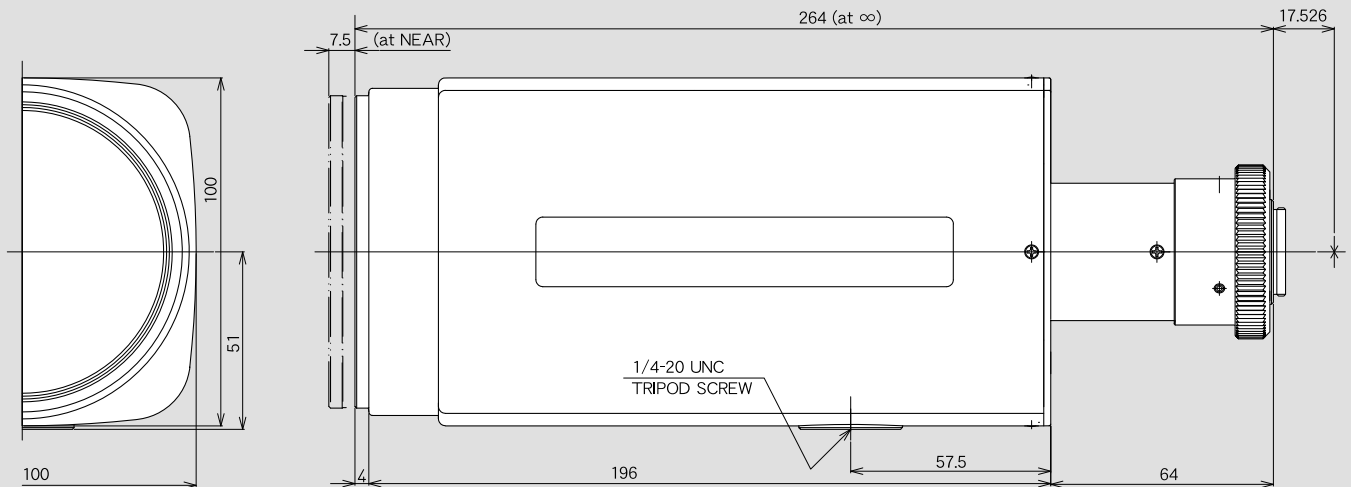
LMZ0824AMPDC-XD

1/2" 8~240mm / F1.7
DC-Iris Motor Z/F Preset



LMZ1236AMPDC-XD

1/2" 12~360mm / F2.6
DC-Iris Motor Z/F Preset



SPECIFICATION

Multi-Megapixel 30x Motorized Zoom Lenses

Model No.	LMZ0824AMPDC-XD	LMZ1236AMPDC-XD
Format Size	1/2" (Designed by 1/1.8")	1/2" (Designed by 1/1.8")
Focal Length (mm)	8 - 240	12 - 360
Relative Aperture (F)	1.7 - 360	2.6 - 360
Iris	DC (or Video)	DC (or Video)
Horizontal Angle (°)	43.5 - 1.56	29.4 - 1.05
Minimum Object Distance (m)	1.8	1.8
Mount	C	C
Size (mm)	100 (H) x 100 (W) x 243 (L)	100 (H) x 100 (W) x 264 (L)
Weight (g)	1,690	1,730