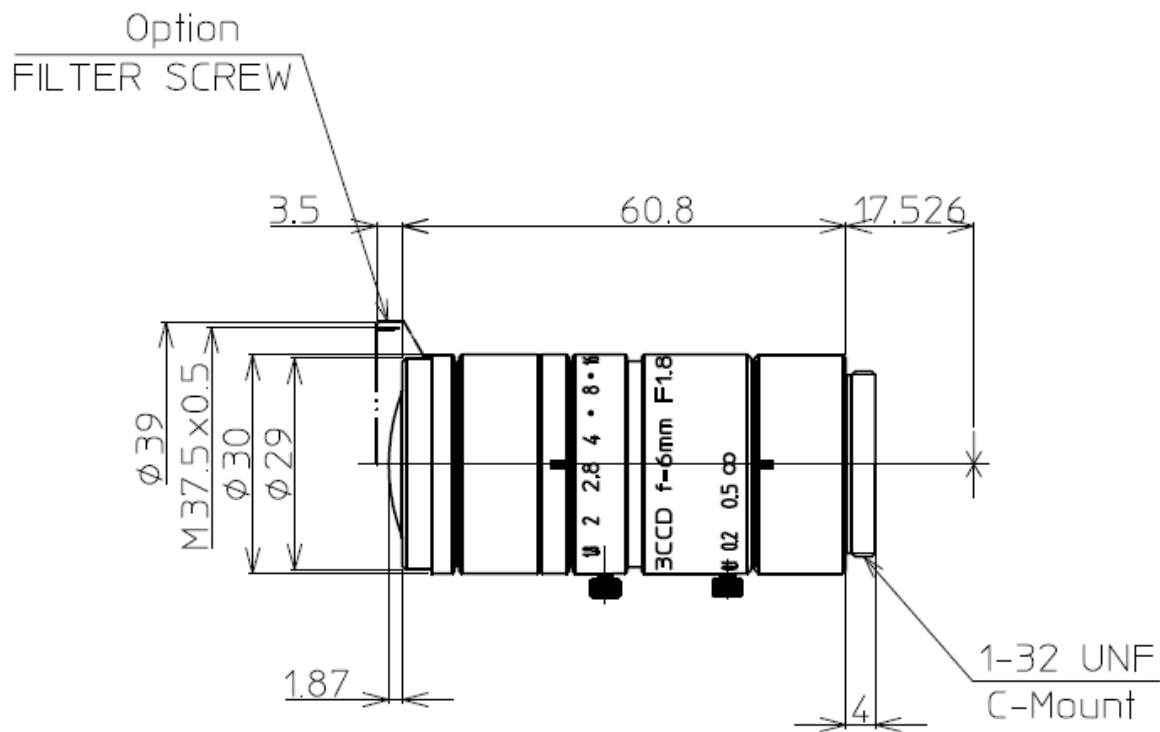


Model: LM6NC3



| 1/2" 1.8/6mm 3CCD | | 1/3" |
|---------------------------|------------|-----------------------------|
| FOCAL LENGTH | | f=6.0mm |
| MAX. DIAMETER (RATIO) | | F=1:1.8~16 |
| PICTURE SIZE | | 6.4x4.8mm |
| | | 4.8x3.6 |
| ANGLE | VER. ANGLE | 44.9° |
| | HOR. ANGLE | 58.8° |
| | DIA. ANGLE | 71.6° |
| DISTORTION (TV) | | -2.1% |
| MINIMUM FOCUS DISTANCE | | 0.1m |
| FLANGE BACK | | 17.526 mm in air |
| BACK FOCUS | | 15.2mm in air |
| FILTER SCREW SIZE | | Option M37.5x0.5 |
| FRONT/REAR EFFECTIVE DIA. | | $\phi 24.0mm$ $\phi 13.2mm$ |
| MOUNT | | C-MOUNT |
| EXIT PUPIL | | 613mm |
| TEMPERATURE RANGE | | -10~+45° C |
| STORNG TEMPERATURE RANGE | | -40~+60° C |
| RESOLUTION | | 120 LP/mm, 100 LP/mm |