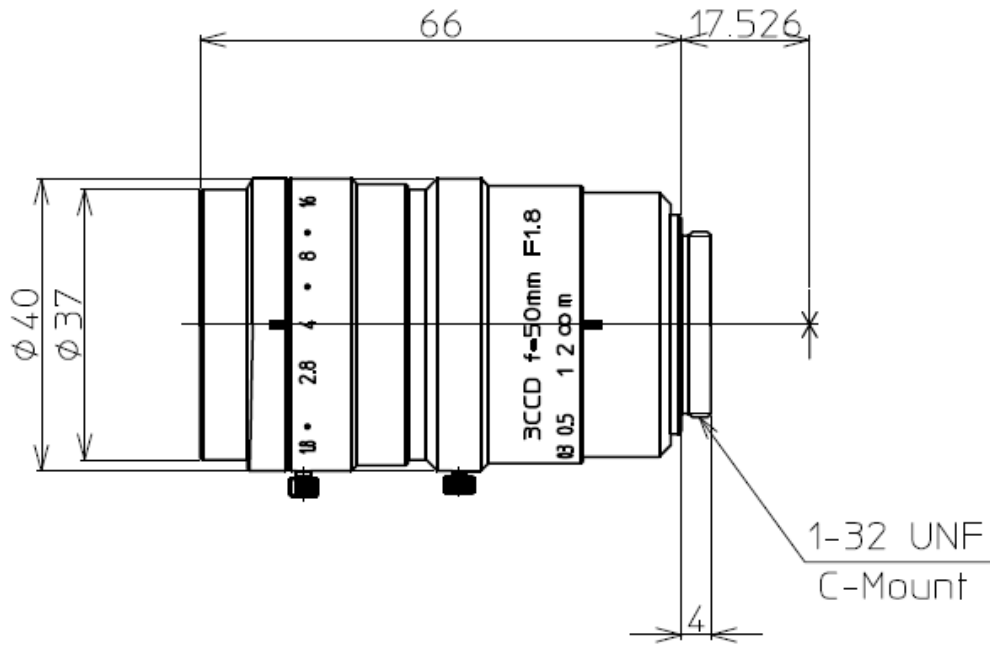


Model: LM50NC3



1/2" 1.8/50mm 3CCD		1/3"
FOCAL LENGTH	f=50.0mm	
MAX. DIAMETER (RATIO)	F=1:1.8~16	
PICTURE SIZE	6.4x4.8mm	4.8x3.6
ANGLE	VER. ANGLE	5.3°
	HOR. ANGLE	7.0°
	DIA. ANGLE	8.9°
DISTORTION (TV)	0.01%	-0.01%
MINIMUM FOCUS DISTANCE	0.3m	
FLANGE BACK	17.526 mm in air	
BACK FOCUS	21.2mm in air	
FILTER SCREW SIZE	M35.5x0.5	
FRONT/REAR EFFECTIVE DIA.	Ø28.8mm	Ø18.5mm
MOUNT	C-MOUNT	
EXIT PUPIL	-502mm	
TEMPERATURE RANGE	-10~+45° C	
STORNG TEMPERATURE RANGE	-40~+60° C	
RESOLUTION	120 LP/mm, 100 LP/mm	