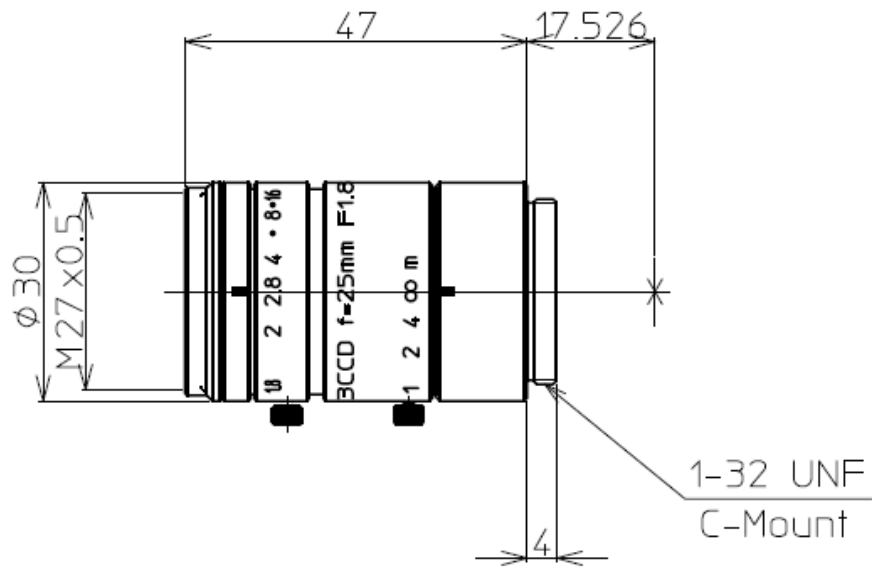


Model: LM25NC3



1/2" 1.8/25mm 3CCD		1/3"	
FOCAL LENGTH	f=25.0mm		
MAX. DIAMETER (RATIO)	F=1:1.8~16		
PICTURE SIZE	6.4x4.8mm	4.8x3.6	
ANGLE	VER. ANGLE	11.0°	8.2°
	HOR. ANGLE	14.6°	11.0°
	DIA. ANGLE	18.2°	13.7°
DISTORTION (TV)	-0.17%	-0.1%	
MINIMUM FOCUS DISTANCE	0.2m		
FLANGE BACK	17.526 mm in air		
BACK FOCUS	15.0mm in air		
FILTER SCREW SIZE	M27x0.5		
FRONT/REAR EFFECTIVE DIA.	φ15.8mm	φ14.4mm	
MOUNT	C-MOUNT		
EXIT PUPIL	-392mm		
TEMPERATURE RANGE	-10~+45° C		
STORNG TEMPERATURE RANGE	-40~+60° C		
RESOLUTION	120 LP/mm, 100 LP/mm		