



3 MEGAPIXEL



2/3" 3 MEGAPIXEL LENS JC3M2 Series



- Features
- Kowa's wide-band multi-coating effectively decreases glare and refraction and produces a high transmission from the visible to NIR wavelength range.
 - Kowa's floating mechanism system virtually eliminates optical aberrations from close distance to infinity.
 - Low distortion
 - Excellent corner brightness
- *except for LM8JC3M2 and LM12JC3M2

NEW LM8JC3M2



2/3" 1/1.8" 1/2" 8mm

FIXED **MEGA**
Fixed Focal Megapixel

C-mt **METAL**
C-mount Metal Body

NEW LM12JC3M2



2/3" 1/1.8" 1/2" 12.5mm

FIXED **MEGA**
Fixed Focal Megapixel

C-mt **METAL**
C-mount Metal Body

NEW LM16JC3M2



2/3" 1/1.8" 1/2" 16mm

FIXED **MEGA**
Fixed Focal Megapixel

C-mt **METAL** **FLOAT**
C-mount Metal Body Floating

NEW LM25JC3M2



2/3" 1/1.8" 1/2" 25mm

FIXED **MEGA**
Fixed Focal Megapixel

C-mt **METAL** **FLOAT**
C-mount Metal Body Floating

NEW LM35JC3M2



2/3" 1/1.8" 1/2" 35mm

FIXED **MEGA**
Fixed Focal Megapixel

C-mt **METAL** **FLOAT**
C-mount Metal Body Floating

NEW LM50JC3M2



2/3" 1/1.8" 1/2" 50mm

FIXED **MEGA**
Fixed Focal Megapixel

C-mt **METAL** **FLOAT**
C-mount Metal Body Floating

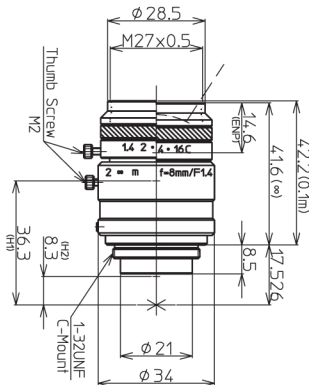
NEW

Made in Japan

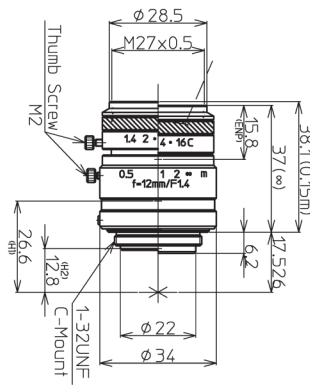
3 MEGA PIXEL

2/3" 3 MEGA PIXEL LENS JC3M2 Series

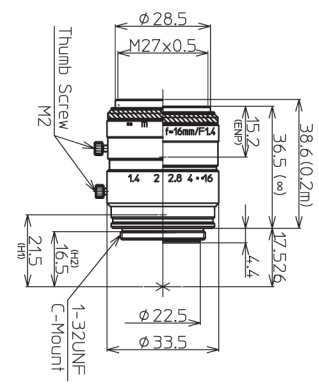
LM8JC3M2



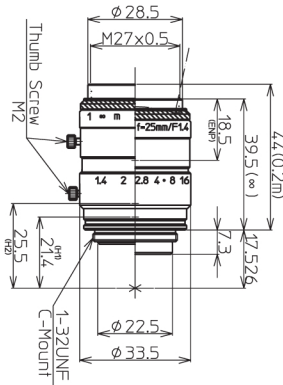
LM12JC3M2



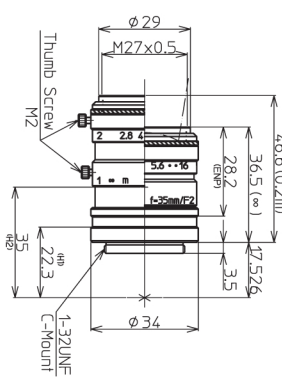
LM16JC3M2



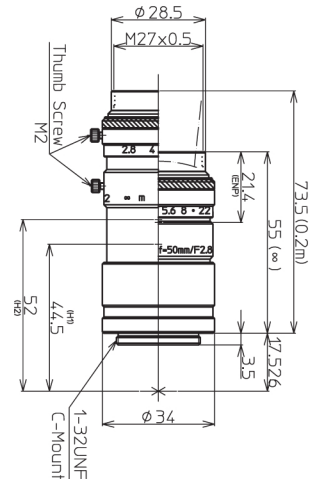
LM25JC3M2



LM35JC3M2



LM50JC3M2



Model	LM8JC3M2	LM12JC3M2	LM16JC3M2	LM25JC3M2	LM35JC3M2	LM50JC3M2
Focal Length(mm)	8	12	16	25	35	50
Image Size(mm)	8.8×6.6 (Φ11)	8.8×6.6 (Φ11)	8.8×6.6 (Φ11)	8.8×6.6 (Φ11)	8.8×6.6 (Φ11)	8.8×6.6 (Φ11)
Iris Range(F-stop)	F1.4~Close	F1.4~Close	F1.4~F16	F1.4~F16	F2.0~F16	F2.8~F22
Focusing Range(m)	0.1~∞	0.15~∞	0.2~∞	0.2~∞	0.2~∞	0.2~∞
Control	Iris Manual Focus Manual	Iris Manual Focus Manual	Iris Manual Focus Manual	Iris Manual Focus Manual	Iris Manual Focus Manual	Iris Manual Focus Manual
Shooting Range at M.O.D.(mm)	120.3 (H) × 90.0 (V)	110.0 (H) × 82.5 (V)	112.8 (H) × 84.4 (V)	71.1 (H) × 53.3 (V)	47.9 (H) × 35.8 (V)	29.3 (H) × 21.9 (V)
Angle of View (Degrees)	2/3 Inch 56.5×43.9 1/1.8 Inch 47.4×36.3 1/2 Inch 42.6×32.5	38.3×29.1 31.7×24.0 28.3×21.4	30.0×22.7 24.7×18.6 21.8×16.4	19.6×14.8 16.1×12.1 14.0×10.5	14.4×10.8 11.8×8.8 10.5×7.9	9.6×7.2 7.9×5.9 7.0×5.2
TV Distortion(%)	-0.6%	-0.07%	-0.05%	-0.04%	-0.2%	-0.03%
Back Focus in Air(mm)	9.5	11.7	13.1	11.7	20.1	35.5
Mount	C-mount	C-mount	C-mount	C-mount	C-mount	C-mount
Filter Thread(mm)	M27×P0.5	M27×P0.5	M25.5×P0.5	M27×P0.5	M27×P0.5	M27×P0.5
Size(mm)	Φ34×41.6	Φ34×37	Φ33.5×36.5	Φ33.5×39.5	Φ34×36.5	Φ34×55
Weight(g)	90	85	85	90	70	95
Temperature Range	-10°C~+50°C	-10°C~+50°C	-10°C~+50°C	-10°C~+50°C	-10°C~+50°C	-10°C~+50°C

Note: Specifications and availability are subject to change without notice.



Kowa Optical Products Co., Ltd.

■ Sales Office
4th Fl., Toko Bldg. 11-1 Nihonbashi-honcho 4-chome, Chuo-ku, Tokyo 103-0023, Japan
Phone: +81 (3)5651-7061 Facsimile: +81 (3)5651-7310
E-mail: opt-cctv@kowa.co.jp URL: http://www.kowa-optical.co.jp/

■ Head Office and Factory
1-4, Benten 2-chome, Soka-shi, Saitama 340-0004, Japan
Phone: +81(48)934-9582 Facsimile: +81(48)932-2961

Kowa American Corporation

20001 South Vermont Avenue, Torrance, CA 90502, U.S.A.
Phone: +1(310)327-1913 Facsimile: +1(310)327-4177
E-mail: customerservice@kowa.com URL: http://www.kowa-usa.com

Kowa Optimed Deutschland GmbH

Bendemannstr. 9, 40210 Duesseldorf, Germany
Phone: +49 (0)211-542184-00 Facsimile: +49 (0)211-542184-10
E-mail: lens@kowaoptimed.com URL: http://www.kowa.eu