



Quality of Light

# HC-IR SERIES

1" 5 MEGAPIXEL

DAY & NIGHT

- > IR corrected design
- > Excellent corner brightness
- > High performance compact lens
- > Low distortion
- > High transmission up to near IR



- NIR (NEAR IR)
- C-MOUNT
- FIXED FOCAL LENGTH
- LOW DISTORTION
- METAL BODY
- DAY & NIGHT



LM50HC-IR

LM60HC-IR



50 mm



60 mm



Quality of Light

# HC-IR SERIES

1" 5 MEGAPIXEL

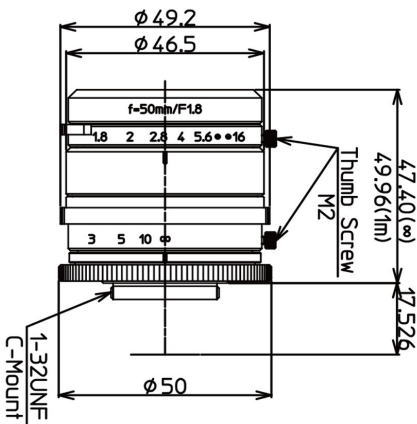
DAY & NIGHT

- > IR corrected design
- > Excellent corner brightness
- > High performance compact lens
- > Low distortion
- > High transmission up to near IR

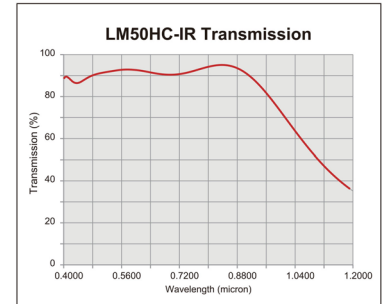
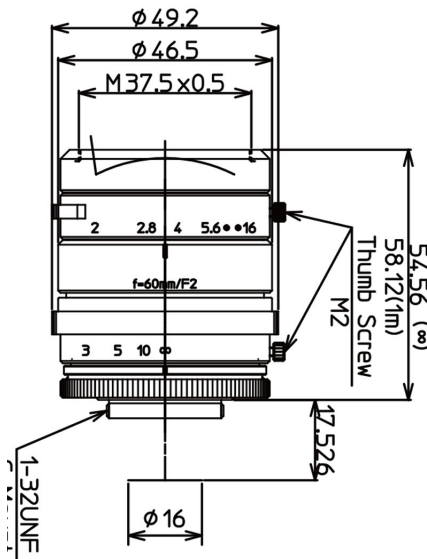
## SPECIFICATION

Model	LM50HC-IR	LM60HC-IR
Focal Length(mm)	50	60
Image Size(mm)	12.8×9.6(Φ16)	12.8×9.6(Φ16)
Iris Range(F-stop)	F1.8~F16	F2.0~F16
Focusing Range(m)	1.0~∞	1.0~∞
Control Iris	Manual	Manual
Control Focus	Manual	Manual
Shooting Range at M.O.D.(mm)	246.0(H)×184.0(V)	216.9(H)×162.1(V)
Angle of View (Degrees)	14.4×10.8	12.2×9.2
View (Inch)	2/3	2/3
View (Degrees)	1/1.8	1/1.8
TV Distortion(%)	-0.09	-0.06
Back Focus in Air(mm)	20.4	15.7
Mount	C-mount	C-mount
Filter Thread(mm)	—	M37.5×P0.5
Size(mm)	Φ50.0×47.4	Φ49.2×54.6
Weight(g)	180	200
Temperature Range	-10°C~+50°C	-10°C~+50°C

LM50HC-IR



LM60HC-IR



Kowa Optimed Deutschland GmbH  
Kowa American Corporation  
Kowa Optical Products Co., Ltd.

Bendemannstr. 9, 40210 Duesseldorf, Germany | T: +49 (0)211-542184-00 | E-mail: lens@kowaoptimed.com | www.kowa-lenses.com

20001 South Vermont Avenue, Torrance, CA 90502, U.S.A. | T: +1 (800) 966-5692 | E-mail: customerservice@kowa.com | www.kowa-usa.com

4th Fl., Toko Bldg. 11-1 Nihonbashi-honcho 4-chome, Chuo-ku, Tokyo 103-0023, Japan | T: +81(3)5651-7061 | E-mail: opt-cctv@kowa.co.jp | www.kowa.co.jp