

XBC-KZ10C Block Camera



The iShot® Xblock® XBC-KZ10C Block Camera is a multi-output zoom block camera module with a compact footprint, day/night capabilities and powerful processing power. Offering up to FULL HD 1080/60fps digital signal (via TVI or AHD) and composite analog signal (via CVBS), this block module is engineered to suit many vision applications from legacy analog to state of the art HD digital.

The XBC-KZ10C Block camera sensor is combined with a state-of-the-art processor with progressive scanning, wide dynamic range, noise reduction and automatic Infrared Cut-Filter operations. Along with a 10x optical motorized zoom lens, this block camera can produce high quality images of the toughest to view applications.

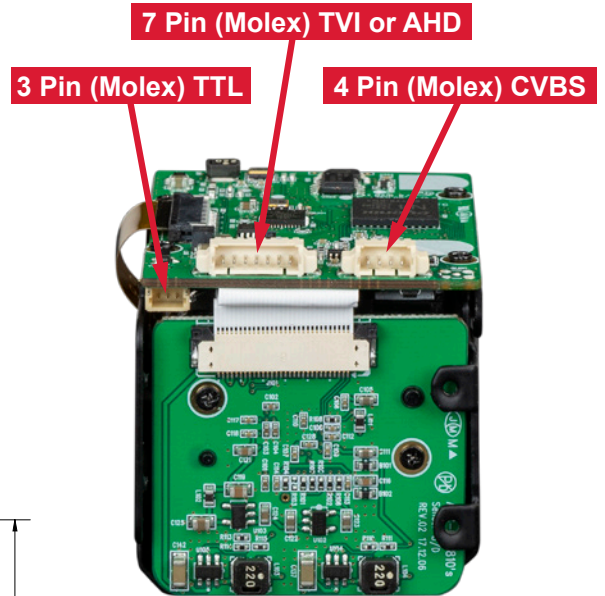
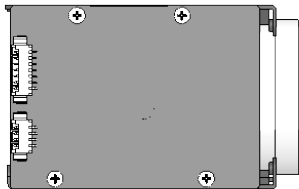
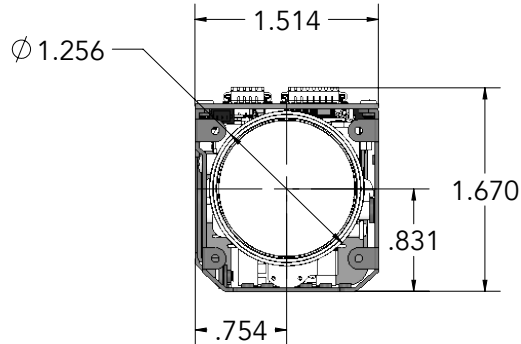
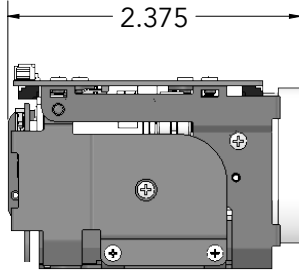
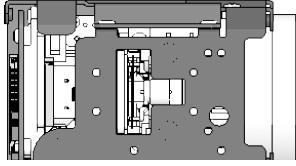
Features/Benefits

- 1/3" 2.1M Progressive CMOS Image Sensor that supports FULL HD (high definition) to produce high-quality images.
- Select from various digital video output signals: 1080p/60, 1080p/50, 1080p/30, 1080p/25, 720p/60, 720p/50, 720p/30, 720p/25.
- Newly developed image signal processor has progressive scan and wide dynamic range capabilities that optimize dark and bright image values.
- Zoom lens with 10x optical zoom and F1.6 aperture (optical zoom + digital zoom = 120x)
- 256 internal zoom/focus presets.
- Noise Reduction feature allow for low-noise images even in low-light environments.
- Infrared Cut-Filter (ICR) that automatically toggles in day/night light environments.
- Privacy Zone Masking function (max. 16 blocks) is available.
- Motion Detection function is available.
- Text display title composed of up to 14 lines can be set for displaying on the screen. 20 characters can be used on one line.
- Part Number: EM14034



303 State Route 94 | Columbia, NJ 07832 | www.intertest.com

Office: 908.496.8008 | **Hours:** M-F, 8am to 5pm EST | **Email:** service@intertest.com



- TVI or AHD output
- CVBS output

Accessories

- Evaluation Cable with AD-Key Controller
- Cable Harness with DSUB9 Connector for Serial Control
- RS-232 to TTL Converter

Applications

- Law Enforcement/Traffic Safety
- Power Generation
- Aerospace
- Manufacturing
- UAV
- Military
- Food Processing

Whether your solution is out-of-the-box or an in-depth integration project, Intertest's dedicated sales and engineering will work with you and your team to ensure the XBC-KZ10C is properly suited, integrated and operating to meet or

exceed your expectations. We pride ourselves in customer relationship building and best-in-class products and services. Intertest remains forever dedicated to being Focused on the Solutions of Tomorrow.



303 State Route 94 | Columbia, NJ 07832 | www.intertest.com

Office: 908.496.8008 | **Hours:** M-F, 8am to 5pm EST | **Email:** service@intertest.com