

MVL-AF5040M-M42

Large Format $\Phi 37\text{mm}$ 50mm Focal Length FA LENS

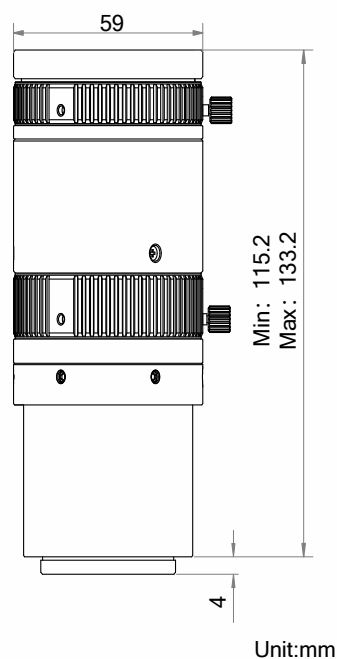
The APS-C fixed-focus lens are optimized for the application of large pixel line scan cameras in the machine vision industry, with excellent imaging quality, high image uniformity and low distortion design, magnification range from 0.01x to 0.33x. It is suitable for defect detection applications in PCB, packaging and printing industry.



Key Features

- Ultra-high resolution, supporting 3.1 μm resolution
- Excellent consistency of image clarity, with large aperture, low distortion, low chromatic aberration and high relative illumination
- Maximum image circle $\Phi 37\text{mm}$, applicable to APS-C area scan and 4K 7 μm line scan cameras

Dimension



Specification

| | | |
|------------------------|--|-----------------|
| Parameter | Model | MVL-AF5040M-M42 |
| | Fixed focal length, Manual iris, Large format lens | |
| Performance | | |
| Focal Length | 50 mm | |
| F-Number | F4 ~ F22 | |
| Image Size | Φ37 mm | |
| Optical Distortion | 0.21% | |
| Magnification Range | 0.33x ~ 0.01x | |
| Working Distance Range | 150 ~ inf mm | |
| Mechanical | | |
| Iris Control | Manual | |
| Focus Control | Manual | |
| Filter Thread | M52×0.75 | |
| Mount | M42×P1 | |
| Flange Back Length | 12 mm | |
| Dimension | Φ59 × 133.2 mm | |
| Weight | 615 g | |
| Temperature | -10 ~ 50°C | |
| General | | |
| Certification | RoHS2.0 | |

HIKROBOT

Hangzhou Hikrobot Technology Co., Ltd.

No.399 Danfeng Road, Binjiang District, Hangzhou 310051, China.

en.hikrobotics.com

Copyright Hikrobot

Hangzhou Hikrobot Technology Co., Ltd. All Rights Reserved. Hangzhou Hikrobot Technology does not tolerate any infringement. Any organization or individual may not imitate or reproduce in whole or in part of the content. The data herein is based on Hikrobot's internal evaluation. Actual data may vary depending on specific configuration and operating condition. The information herein is subject to change without notice. All the content has been checked conscientiously. Nevertheless, Hikrobot shall not be liable to damages resulting from errors, inconsistencies or omissions.