

MV-CH080-60GM/GC 8MP, 4/3" CCD, GigE Camera

GigE
VISION



The Hikvision MV-CH080-60GM/GC 8 MP 4/3" CCD GigE Camera is a high quality device that can be used in a variety of applications, including SMT automatic optical detection, PCB AOI, FPD detection, railway related applications and etc.

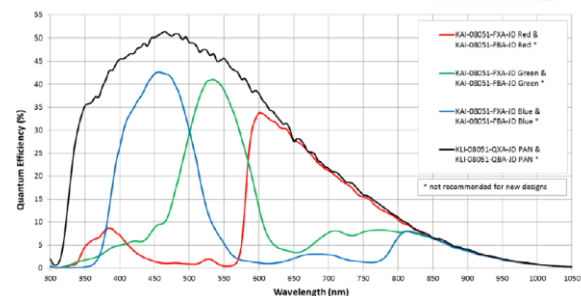
Key Features

- 8 MP resolution, pixel size of 5.5µm
- High quality CCD sensor with ultra high signal-to-noise ratio, wide dynamic range, excellent imaging quality
- 128 MB on-board buffer, which enable to cache multiple pictures for data transmission or image retransmitting in Burst mode
- GigE interface, with the maximum transmission distance of 100 m (without relay)
- Support serial port communication, communication protocol RS232 or full-duplex RS485
- M58 optical mount, applicable for F/V mount
- Compact construction design with mounting holes on the up and bottom panels for flexible mounting

Application Scenarios

- SMT automatic optical detection
- PCB AOI
- FPD detection
- Railway related applications

Spectral Response



MV-CH080-60GM/GC Quantum Efficiency

Order Models

Mono: MV-CH080-60GM
Color: MV-CH080-60GC



Specifications

Model	MV-CH080-60GM	MV-CH080-60GC
Parameters	8MP, 4/3" CCD, GigE Camera	
Camera		
Sensor	KAI08051	
Pixel Size	5.5μm×5.5μm	
Sensor Size	4/3"	
Resolution	3296×2472	
Frame Rate	14fps	
Dynamic Range	>66dB	
SNR	>40dB	
Gain Range	0-20dB	
Exposure Time	50μs-1sec	
Shutter Mode	Global Shutter. Auto-Exposure, Manual Exposure, One-key Exposure	
Data Interface	Gigabit Ethernet	
General Purpose I/O	12 pin IO, Opto-isolated input x1, Opto-isolated output x1, Bi-directional non-isolated I/O x1, RS232 x1, full-duplex RS485 x1	
Image Buffer	128MB	
Data Format	Mono 8/10/10p/12/12p	Mono 8/10/12, Bayer GR 8/10/10p/12/12p, YUV 422 8, YUV 422 8 UYVY, RGB8
General		
Power	Approx. 10.8W@12VDC, Voltage 12VDC	
Temperature	Working Temperature 0~50°C, Storage Temperature -30~70°C	
Dimension	74mm×74mm×49mm	
Weight	Approx. 700g	
Lens Interface	M58*0.75, optical back focal length 11.48 mm, supporting C-mount or F-mount via lens adapter	
Software	MVS or Third-Party Software supporting GigE Vision Protocol	
Operating System	Windows XP/7/10 32/64bits	
Compliance	GigE Vision	
Certification	CE, FCC, RoHS	

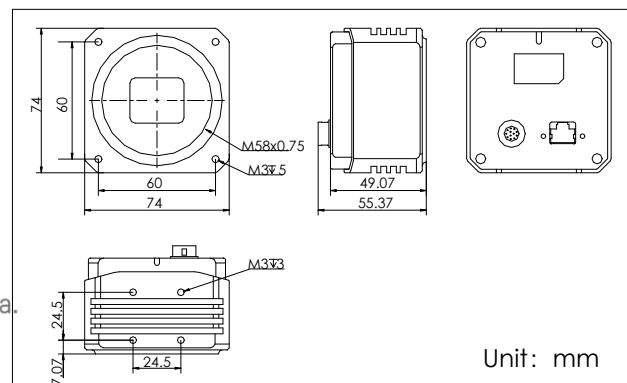
Recommended Accessories

- **Power:** 12VDC @1A power adapter
- **NIC:** Intel Pro1000 and above version recommended
- **Network Cable:** CAT5e or CAT6 network cable recommended



Hangzhou Hikvision Digital Technology Co., Ltd.
 No.700 Dongliu Road, Binjiang District, Hangzhou, 310052, China.
 Tel: +86-400-700-5998
 Email: hikrobotics@hikvision.com

Dimensions



Unit: mm