

MV-CA050-20GM/GC 5MP, 1" CMOS, GigE Camera

GigE
VISION



The Hikvision MV-CA050-20GM/GC 5 MP 1" CMOS GigE Camera is a high quality device that can be used in a variety of applications, including electronic semiconductor fabrication, factory automation, quality inspection.

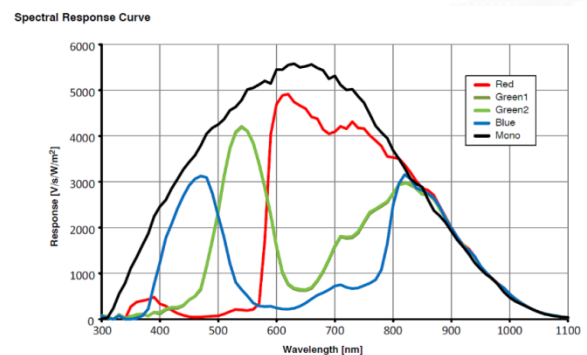
Key Features

- Gigabit Ethernet interface providing 1Gbps bandwidth; Transmitting distance can be 100m without relaying.
- 128MB on-board buffer, for image burst transmitting and retransmitting.
- Support auto exposure control, LUT and Gamma correction.
- Cameras can be synchronized with hard trigger and soft trigger.
- Different exposure modes can be used to capture image.
- Embed special color interpolation algorithm which reproduces color performance better and supports auto white balance function.
- Compliant with GigE Vision V1.2, can be supported by third party software.

Application Scenarios

- Electronic semiconductor
- Factory automation
- Quality Inspection

Spectral Response



MV-CA050-20GM/GC Quantum Efficiency

Order Models

Mono: MV-CA050-20GM

Color: MV-CA050-20GC



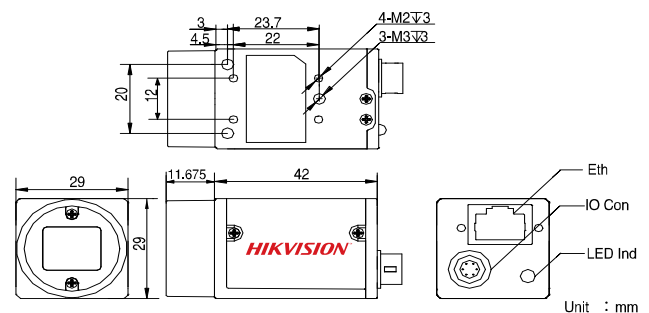
Specifications

Model	MV-CA050-20GM	MV-CA050-20GC
Parameters	5MP, 1" CMOS, GigE Camera	
Camera		
Sensor	PYTHON 5000	
Pixel Size	4.8μm×4.8μm	
Sensor Size	1"	
Resolution	2592×2048	
Frame Rate	22fps	
Dynamic Range	>60dB	
SNR	>40dB	
Gain Range	0-15dB	0-10dB
Exposure Time	10μs-10sec	
Shutter Mode	Global Shutter. Auto-Exposure, Manual Exposure, One-key Exposure	
Data Interface	Gigabit Ethernet	
General Purpose I/O	Opto-isolated input x1, Opto-isolated output x1, Bi-directional non-isolated I/O x1	
Image Buffer	128MB	
Data Format	Mono 8/10/10p/12/12p	Mono 8/10/12, RGB8, Bayer BG 8/10/10p/12/12p, YUV 422 8 UYVY, YUV 422 8
General		
Power	Approx. 3.3W@12VDC, Voltage 5~15VDC, PoE supported	
Temperature	Working Temperature 0~50°C, Storage Temperature -30~70°C	
Dimension	29mm×29mm×42mm	
Weight	Approx. 68g	
Lens Interface	C-Mount	
Software	MVS or Third-Party Software supporting GigE Vision Protocol	
Operating System	Windows XP/7/10 32/64bits	
Compliance	GigE Vision	
Certification	CE, FCC, RoHS	

Recommended Accessories

- **Power:** 12VDC @1A power adapter
- **NIC:** Intel Pro1000 and above version recommended
- **Network Cable:** CAT5e or CAT6 network cable recommended

Dimensions



Hangzhou Hikvision Digital Technology Co., Ltd.
 No.700 Dongliu Road, Binjiang District, Hangzhou, 310052, China.
 Tel: +86-400-700-5998
 Email: hikrobotics@hikvision.com