

MV-CA020-10UM/UC

2 MP 1/1.7" CMOS USB3.0 Area Scan Camera



GEN*i*CAM

USBTM
VISION

Introduction

MV-CA020-10UM/UC camera adopts Sony® IMX430 sensor to provide high-quality image. It uses USB3.0 interface to transmit non-compressed images in real time with max. frame rate reaching 89.1 fps in full resolution.

Key Feature

- Supports auto and manual adjustment for gain, exposure control, white balance, LUT, Gamma correction, etc.
- Supports hardware trigger, software trigger, etc.
- Supports Off, Once, Continuous exposure mode.
- Compatible with USB3 Vision Protocol, GenCam Standard, and the third-party software based on the protocol and standard.

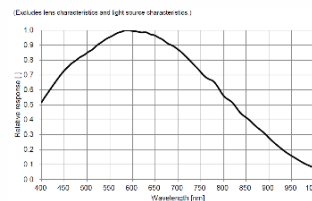
Available Model

- Mono Camera: MV-CA020-10UM
- Color Camera: MV-CA020-10UC

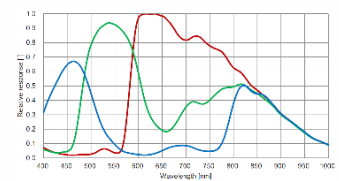
Applicable Industry

SMT/ PCB AOI, FPD, etc.

Sensor Quantum Efficiency

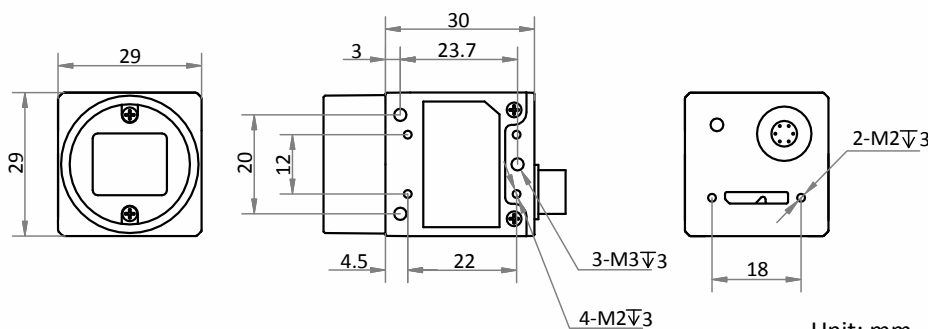


MV-CA020-10UM



MV-CA020-10UC

Dimension



Specification

Model	MV-CA020-10UM	MV-CA020-10UC
Camera		
Sensor type	Global shutter CMOS	
Sensor model	Sony® IMX430	
Pixel size	4.5 μm × 4.5 μm	
Sensor size	1/1.7"	
Resolution	1624 × 1240	
Max. frame rate	89.1 fps @1624 × 1240	
Dynamic range	75.4 dB	
SNR	40 dB	
Gain	0 dB to 24 dB	
Exposure time	1 μs to 10 s	
Shutter mode	Off/Once/Continuous exposure mode	
Mono/color	Mono	Color
Pixel format	Mono 8/10/10p/12/12p	Mono 8/10/12, RGB 8, BGR 8, Bayer RG 8/10/10p/12/12p, YUV422Packed, YUV422_YUYV_Packed
Binning	Not support	
Decimation	Supports 1 × 1, 2 × 2	
Reverse image	Supports horizontal and vertical reverse image output	
Image buffer	128 MB	
Electrical features		
Data interface	USB3.0	
Digital I/O	6-pin Hirose connector provides power and I/O, including opto-isolated input x 1 (Line 0), opto-isolated output x 1 (Line 1), bi-directional non-isolated I/O x 1 (Line 2).	
Power supply	9 VDC to 24 VDC, supports USB3.0 power supply	
Power consumption	Approx. 3.2 W@5 VDC	Approx. 3.9 W@5 VDC
Structure		
Lens mount	C-Mount	
Dimension	29 mm × 29 mm × 30 mm (1.1" × 1.1" × 1.2")	
Weight	Approx. 80 g (0.2 lb.)	
Ingress protection	IP30 (under proper lens installation and wiring)	
Temperature	Working temperature: 0 °C to 50 °C (32 °F to 122 °F) Storage temperature: -30 °C to 70 °C (-22 °F to 158 °F)	
Humidity	20% to 80% RH, without condensation	
General		
Client software	MVS or third-party software meeting with USB3 Vision Protocol	
Operating system	32/64-bit Windows XP/7/10, 32/64-bit Linux and 64-bit MacOS	
Compatibility	USB3 Vision, GenICam	
Certification	CE, FCC, RoHS, KC	

HIKROBOT

Hangzhou Hikrobot Technology Co., Ltd.

No.399 Danfeng Road, Binjiang District, Hangzhou 310051, China.

en.hikrobotics.com

Copyright Hikrobot

Hangzhou Hikrobot Technology Co., Ltd. All Rights Reserved. Hangzhou Hikrobot Technology does not tolerate any infringement. Any organization or individual may not imitate or reproduce in whole or in part of the content. The data herein is based on Hikrobot's internal evaluation. Actual data may vary depending on specific configuration and operating condition. The information herein is subject to change without notice. All the content has been checked conscientiously. Nevertheless, Hikrobot shall not be liable to damages resulting from errors, inconsistencies or omissions.