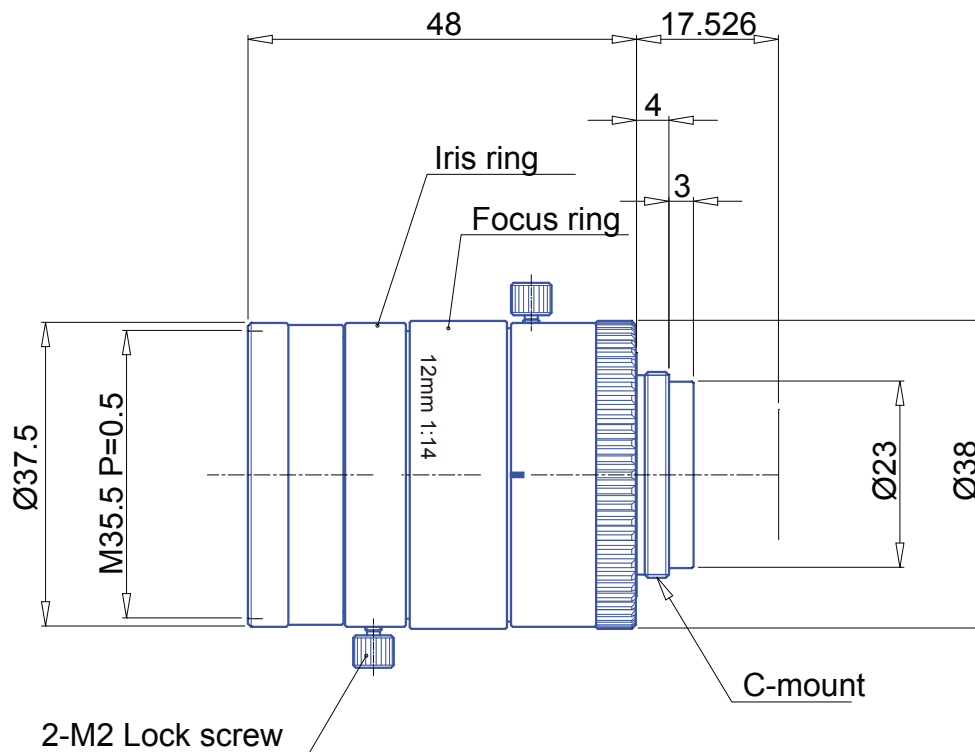


5 MP 1"

GMD5HR41214MCN



Part No.	GMD5HR41214MCN
Focal Length	12mm
Iris Range	f/1.4-16
Lens Format	1"
MOD	300 mm
Mount	C
Filter Thread	M35.5 x P0.5
Angle of View	50.8° x 50.8° x 68.2°
Dimension (DxL)	Ø38 x 48