

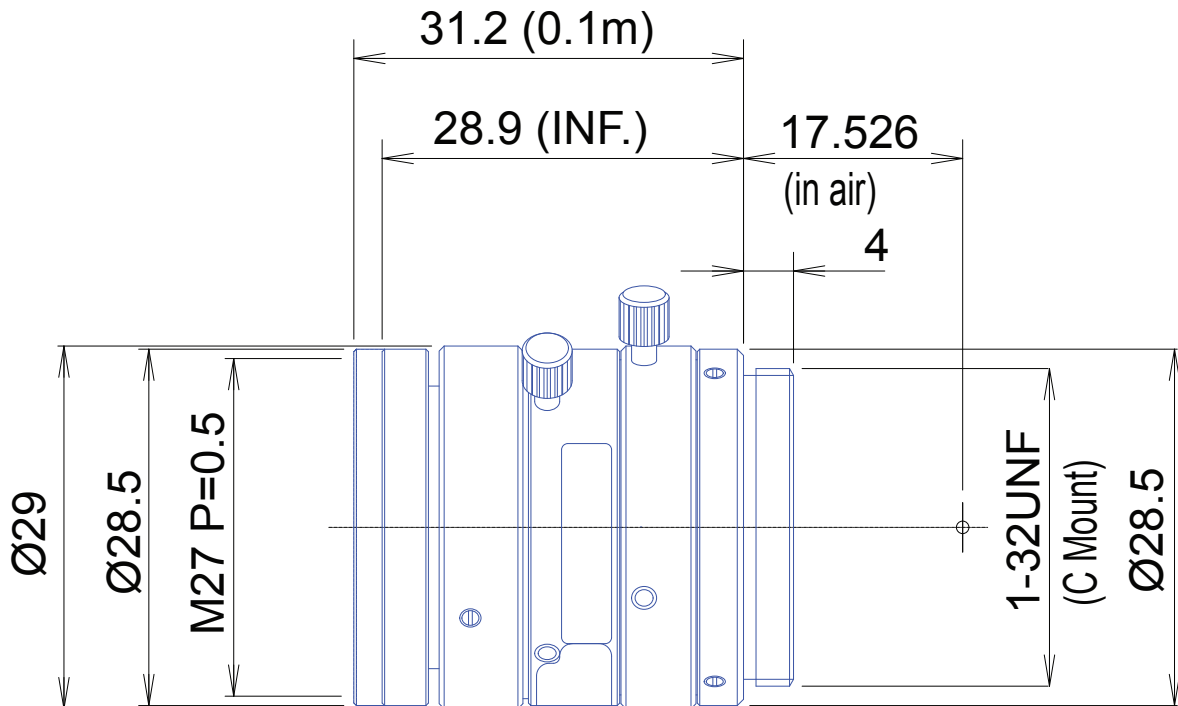
5 MP 1/1.2"

GM5HR121620MCN

www.GoyoLenses.com

Info@GoyoLenses.com

1-630-566-0580



Part No.	GM5HR121620MCN
Focal Length	16mm
Iris Range	f/2 - 16
Lens Format	1/1.2"
MOD	100mm
Mount	C
Filter Thread	M27 x P0.5
Angle of View	37.4° x 28.4°
Weight	60g
Dimension (DxL)	Ø29 x 32