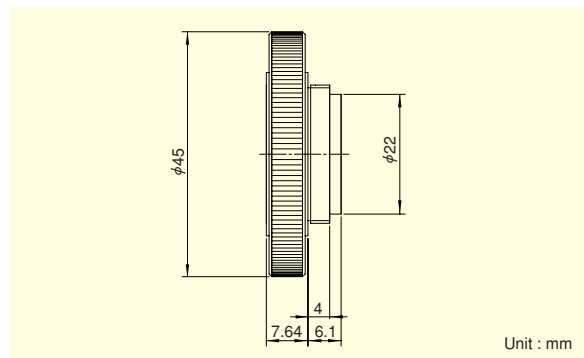


Magnification	1.5×
Mount	C
F No. change	Original × 1.5
Focal Length Change	Original × 1.5
M.O.D. Change	Same as Original
Angle Of View	Original × 1/1.5
Object Dimension at M.O.D.	Original × 1/1.5
Remarks	<ul style="list-style-type: none"> • Exclusive for C Mount. • Can not be used on CS Mount, 3 CCD Camera and non browning lenses. • Can not be stacked and used.



Magnification	2×
Mount	C
F No. change	Original × 2
Focal Length Change	Original × 2
M.O.D. Change	Same as Original
Angle Of View	Original × 1/2
Object Dimension at M.O.D.	Original × 1/2
Remarks	<ul style="list-style-type: none"> • Exclusive for C Mount. • Can not be used on CS Mount, 3 CCD Camera and non browning lenses. • Can not be stacked and used.