

### 镜头参数 (Parameter of Lens)

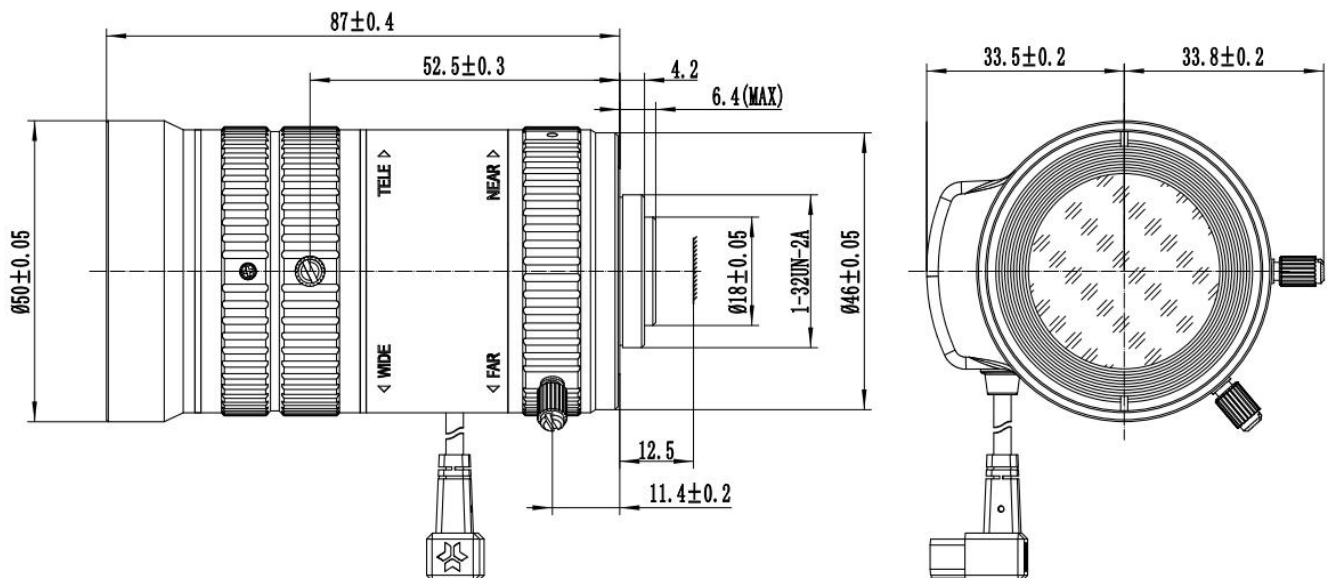
型号 (Model) :

**CS-D1150IR (8MP)**



分辨率 (Pixel)	8 MegaPixel						
像面尺寸 (Image format)	1/1.7"						
焦距 (Focal length)	11~50 ( $\pm 5\%$ ) mm						
通光孔径 (Aperture)	F1.4 $\pm 10\%$						
接口 (Mount)	CS						
视场角 (Field Angle) D×H×V(°) $\pm 5\%$	°	1/1.7(4:3)		1/1.8(16:9)		1/2(4:3)	
		Wide	Tele	Wide	Tele	Wide	Tele
	D	47	10.9	44.2	10.4	39.5	9.4
	H	36.9	8.8	38.1	9	31.2	7.5
V	27.2	6.6	21	5.1	23.1	5.6	
畸变 (Optical Distortion)	-10.7~0.07% (1/1.7")						
最近物距 (M. O. D.)	1.5m						
主光线角 (Chief Ray Angle)	0.16° (Wide); 0° (Tele)						
重量 (Weight)	267 $\pm 5$ g						
镀膜波段 (Coating Range)	400~900nm						
法兰后焦距 (Flange BFL)	12.5mm (in air)						
光学后焦距 (BFL)	>8.26mm (in air)						
机械后焦距 (MBF)	>6.95mm (in air)						
日夜共焦 (IR Correction)	Yes						
操作方法 (Operation)	光圈 (Iris)		自动光圈 (DC)				
	聚焦 (Focus)		手动聚焦 (Manual)				
	变焦 (Zoom)		手动变焦 (Manual)				
工作温度 (Operating temperature)	-30°C ~ +70°C						

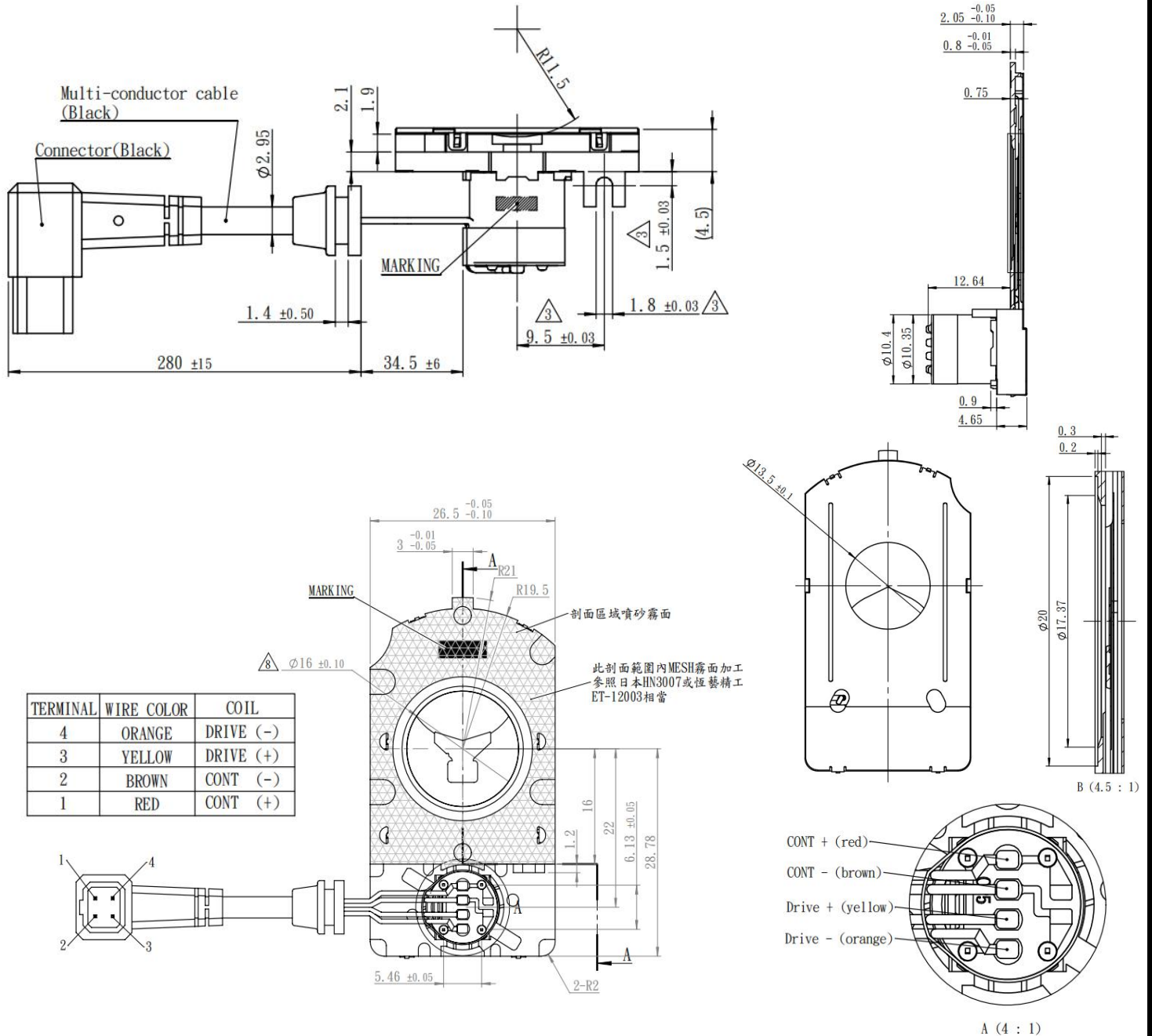
### 尺寸 (Size)



### 自动光圈 (Auto Iris)

型号 (Model) :

CS-D1150IR (8MP)



Wire	PITCH=1.25mm	DC Resistance	Excite	200 Ω ±10% (20℃ 65%RH)
Max. Image Circle	Φ 13.5mm	Operating Voltage	Brake	500 Ω ±10% (20℃ 65%RH)
			Rated Voltage	DC 5V Max
Iris Wire	red	CONT +	Close → Open	2.5V Max
	brown	CONT -	Open → Close	0.5V Min
	yellow	DRIVE +	见上图	
	orange	DRIVE -	Operating Temperature	-10℃ ~ +60℃
		Operating Parameters	Relative Humidity	60% ± 25%

检测标准 (Test Standard )

型号 (Model) :		CS-D1150IR (8MP)	
检测项目 Test Items		检测内容 Test Content	
1	逆投影检测 Resolution	Test Range	Window thickness 0.8±0.2mm, Projection distance: Wide 2m, Tele 3m
		Center ≥	200 lp/mm
		Φ8 ≥	125 lp/mm
		Image standard	The image should be clear.
2	外观 Appearance	Appearance (Inner barrel)	60-40: The maximum scratch width is allowed to be 0.06mm, the length allows the 1/4 edge position of the lens; the visually invisible fineness is negligible; the maximum diameter of the pip is allowed to be 0.2mm, and only one lens surface is allowed; the pip is smaller than 0.002mm~0.005mm can be neglected; the film color is uniform; there is no obvious color spot on the surface.
		Appearance (Outer barrel)	The lens barrel has no obvious color difference, scratch, break, deformation; the glue is not allowed to overflow into the effective light path; no word drop, clear writing, the same font size, even spacing, etc.
		Rotation	Feel the rotation back and forth smoothly without jumping, stuck and abnormal sounds, etc
3	光驱 Auto Iris	Auto Iris Appearance	Optical drive line rubber band is not exposed; appearance of optical drive terminal No damage, no change, the length of the interface pointer is the same; The following phenomena are not allowed: virtual welding of fillet, false welding, even Interfaces fall off, structural parts are loose, deformed, etc.
		CD-ROM drive	The switch speed of the optical drive is slow and uniform, Must not be too fast, too slow or inactive;
		Optical drive sensitivity	Use the camera to confirm the sensitivity of the optical drive, Responsive and without delay;
环境 Environment		25±2℃ 700~1000 lux	



环境可靠性测试 (Reliability and Environmental Testing)

型号 (Model) :

CS-D1150IR (8MP)

检测项目 Test Items

检测内容 Test Content

1

温度循环试验  
Temperature Cycling Test

镜头在试验温度  $(-30 \pm 3)^\circ\text{C}$  放置1.5小时,  $(70 \pm 3)^\circ\text{C}$  放置3小时的条件下, 放置2个循环。试验后, 将镜头放置于室温24小时后进行检验, 各指标均合格。

Lens is placed on two cycles in the test temperature  $(-30 \pm 3)^\circ\text{C}$  for 1.5 hours and in  $(70 \pm 3)^\circ\text{C}$  for 3 hours separately. Then, the indicators are qualified after placing the lens at room temperature for 24 hours.

2

高温高湿试验  
Damp heat test

镜头在试验温度  $(70 \pm 3)^\circ\text{C}$ , 湿度85%RH的条件下, 放置48小时。试验后, 将镜头放置于室温24小时后进行检验, 各指标均合格。

Lens is placed in the test temperature  $(70 \pm 3)^\circ\text{C}$ , humidity 85% RH for 48 hours. Then, the indicators are qualified after placing the lens at room temperature for 24 hours.

3

跌落试验  
Drop Test

镜头在1米高  $(\pm 0.1\text{米})$  处, 自由跌落到混凝土地板上。试验后, 镜头各指标均合格。

Lens drops from the height of  $(1 \pm 0.1\text{m})$  to the concrete ground. After the testing, the indicators are qualified.

4

振动试验  
Vibration Test

镜头正弦波振动2小时, 在振幅为1mm, 频率为50Hz的条件下, 试验后, 镜头各指标均合格。

Lens vibrates 2h in sinusoidal wave under 1 mm of amplitude and 50Hz of frequency. After the testing, the indicators are qualified.

包装规格 (Packing Specification)

型号 (Model) :

CS-D1150IR (8MP)

1. Stick label on the surface of lens after capped.
2. Put the lens into the carton box.
3. The unit will be packaged in a corrugated box.
4. Seal the corrugated box with tape and mark the surface.

