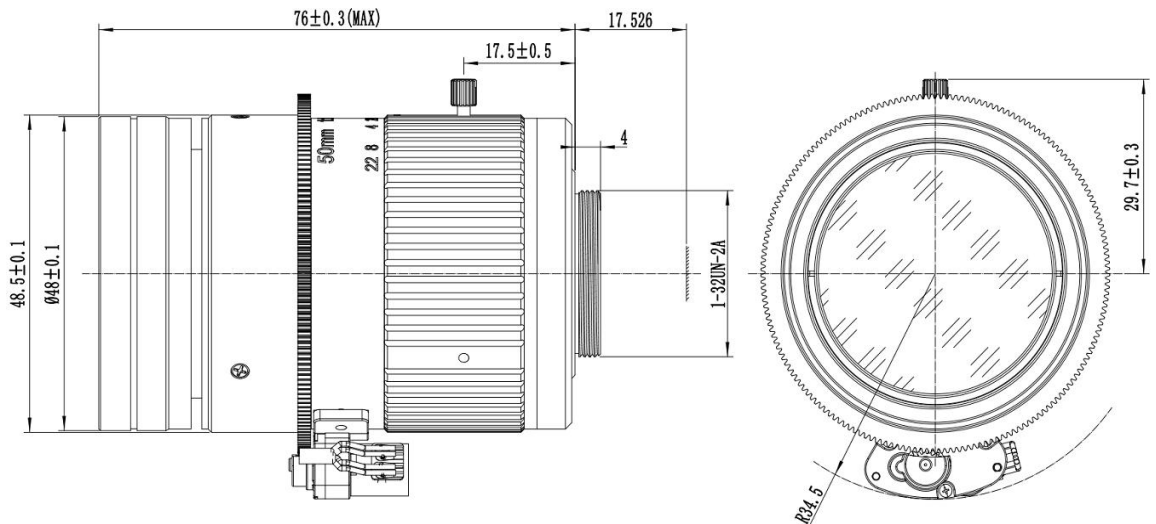


镜头参数 (Parameter of Lens)

型号 (Model) :	C-M50(12MP)-11F14-E					
	分辨率 (Resolution)	12 Megapixel				
	像面尺寸 (Image format)	1.1"				
	焦距 (Focal length)	50±5%mm				
	通光孔径 (Aperture)	1.4±10%				
	接口 (Mount)	C				
	视场角 (Field Angle) D×H×V(°) ±5%		1"	1.1"		
			D	18.2	20.5	
			H	14.6	16.5	
			V	10.9	11.8	
	畸变(Optical Distortion)	-2.00%				
	主光束入射角 (CRA)	≤8°				
	最近物距(M.O.D.)	1.5m				
	外形尺寸(Dimension)	Φ48.5×76mm				
	重量(Weight)	330.2g±5g				
	法兰后焦距(Flange BFL)	17.526mm(in air)				
光学后焦距(BFL)	19.6mm(in air)					
机械后焦距(MBF)	13.526mm(in air)					
日夜共焦 (IR Correction)	NO					
操作方法 (Operation)	光圈 (Iris)	手动光圈 (Manual)				
	聚焦 (Focus)	电动聚焦 (Manual)				
	变焦 (Zoom)	/				
工作温度 (Operating temperature)	-30℃ ~ +70℃					



尺寸 (Size)

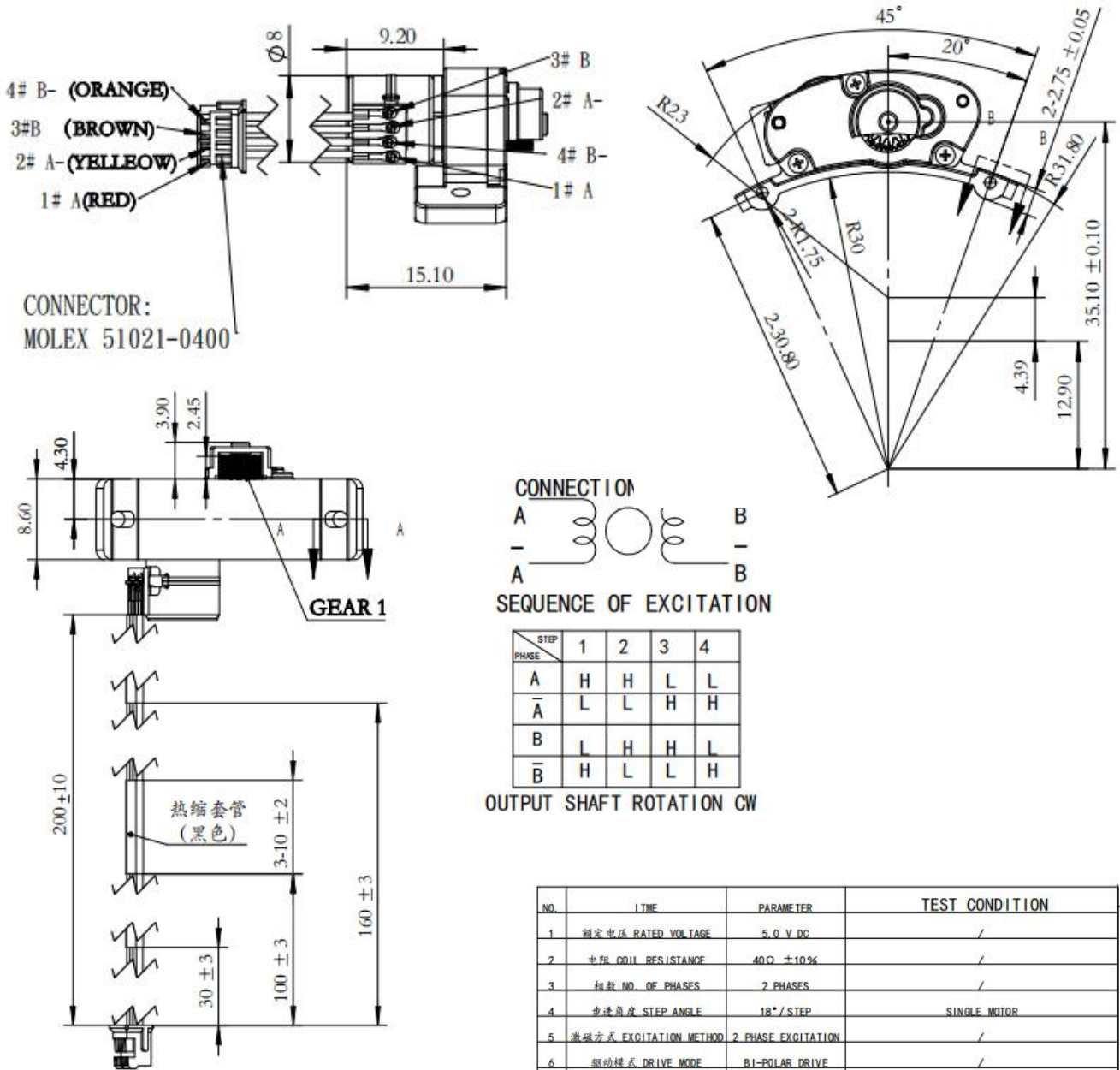


尺寸公差Size tolerance (mm) :	0-10±0.05	10-30±0.10	30-120±0.20
角度公差Angle tolerance	±2°		

电机 (Motor)

型号 (Model) :

C-M50(12MP)-11F14-E



NO.	NAME	CODE	GEAR 1
1	GEAR TYPE	/	SPUR GEAR
2	NUMBER OF TEETH	Z	14
3	NORMAL MODULE	m	0.3
4	PRESSURE ANGLE	alft	20
5	REFERENCE DIAMETER	d	$\phi 4.2$
6	TIP DIAMETER	da	$\phi 4.8 (+0/-0.03)$
7	PROFILE SHIFT COEFFICIENT	x	0

NO.	TIME	PARAMETER	TEST CONDITION
1	额定电压 RATED VOLTAGE	5.0 V DC	/
2	电阻 COIL RESISTANCE	40 Ω \pm 10%	/
3	相数 NO. OF PHASES	2 PHASES	/
4	步进角度 STEP ANGLE	18° / STEP	SINGLE MOTOR
5	激磁方式 EXCITATION METHOD	2 PHASE EXCITATION	/
6	驱动模式 DRIVE MODE	BI-POLAR DRIVE	/
7	减速比 GEAR RATIO	80.095:1	/
8	引入力矩 PULL-IN TORQUE	1.2 gf-cm (MIN.)	AT 900 pps, 5.0 V, 2-2 PHASE, SINGLE MOTOR
9	脱出力矩 PULL-OUT TORQUE	1.5 gf-cm (MIN.)	AT 900 pps, 5.0 V, 2-2 PHASE, SINGLE MOTOR
10	齿轮箱出力力矩 OUTPUT GEAR TORQUE	90 gf-cm (MIN.)	AT 900 pps, 5.0 V, 2-2 PHASE
12	最大自启动频率 MAXIMUM STARTING FREQUENCY	1000 pps (MIN.)	AT 5.0 V, 2-2 PHASE
13	最大连续运转频率 MAXIMUM SLEWING FREQUENCY	2000 pps (MIN.)	AT 5.0 V, 2-2 PHASE
14	最小启动电压 MIN. STARTING VOLTAGE	DC 2.6 V (MAX.)	AT 900pps 2-2PHASE, NO LOAD
15	噪音 NOISE	45dB (max.)	AT 900pps 5.0 V, NO LOAD, DISTANCE 10cm
16	绝缘等级 INSULATION CLASS	CLASS F FOR COILS	/
17	绝缘耐压 INSULATION STRENGTH	1mA (MAX.)	100 V AC FOR ONE SECOND
18	绝缘阻抗 INSULATION RESISTANCE	1.0 M Ω (MIN.)	100 V DC
19	使用温度范围 OPERATING TEMPERATURE RANGE	-40~+80 °C	/

检测标准 (Test Standard)

型号 (Model):

C-M50(12MP)-11F14-E

检测项目 Test Items		检测内容 Test Content	
1	逆投影检测 Resolution Test	Test Range	Φ16 (projector distance 3m, Teleconverter:3m Thickness of Cover Glass1.5±0.2mm)
		Center≥	200 lp/mm
		Φ10≥	125 lp/mm
		Φ14≥	100 lp/mm
		Φ16≥	100 lp/mm
	Image standard	The image should be clear	
环境 Environment		25±2℃ ≤1 lux的暗房	

2	外观检测 Appearance Inspection	Apperance (Inner barrel)	60-40: The maximum scratch width is allowed to be 0.06mm, the length allows the 1/4 edge position of the lens; the visually invisible fineness is negligible; the maximum diameter of the pip is allowed to be 0.2mm, and only one lens surface is allowed; the pip is smaller than 0.002mm~0.005m can be neglected; the film color is uniform; there is no obvious color spot on the surface;
		Apperance (Outer barrel)	The lens barrel has no obvious color difference, scratch, break, deformation etc.; the glue is not allowed to overflow into the effective light path; no word drop, clear writing, the same font size, even spacing, etc.
		Rotation	Feel the rotation back and forth smoothly without jumping, stuck and abnormal sounds, etc.
环境 Environment		25±2℃ 700~1000 lux	



环境可靠性测试 (Reliability and Environmental Testing)

型号 (Model) :		C-M50(12MP)-11F14-E
检测项目 Test Items		检测内容 Test Content
1	温度循环试验 Temperature Cycling Test	镜头在试验温度(-30±3)°C放置1.5小时, (70±3)°C放置3小时的条件下, 放置2个循环。试验后, 将镜头放置于室温24小时后进行检验, 各指标均合格。 Lens is placed on two cycles in the test temperature (-30±3)°C for 1.5 hours and in (70±3)°C for 3 hours separately. Then, the indicators are qualified after placing the lens at room temperature for 24 hours.
2	高温高湿试验 Damp heat test	镜头在试验温度(70±3)°C,湿度85%RH的条件下, 放置48小时。试验后, 将镜头放置于室温24小时后进行检验, 各指标均合格。 Lens is placed in the test temperature (70±3)°C, humidity 85% RH for 48 hours. Then, the indicators are qualified after placing the lens at room temperature for 24 hours.
3	跌落试验 Drop Test	镜头在1米高(±0.1米)处, 自由跌落到混凝土地板上。试验后, 镜头各指标均合格。 Lens drops from the height of (1±0.1m) to the concrete ground. After the testing, the indicators are qualified.
4	振动试验 Vibration Test	镜头正弦波振动2小时,在振幅为1mm, 频率为50Hz的条件下, 试验后, 经重新聚焦镜头各指标均合格。 Lens vibrates 2h in sinusoidal wave under 1 mm of amplitude and 50Hz of frequency. After the testing, refocus the lens, the indicators are qualified.

包装规格 (Packing Specification)

型号 (Model) :

C-M50(12MP)-11F14-E

1. Stick label on the surface of lens after capped.
2. Put the lens into the carton box with pearl wool, desiccant and instructions.
3. The unit will be packaged in a corrugated box.
4. Seal the corrugated box with tape and mark the surface.

