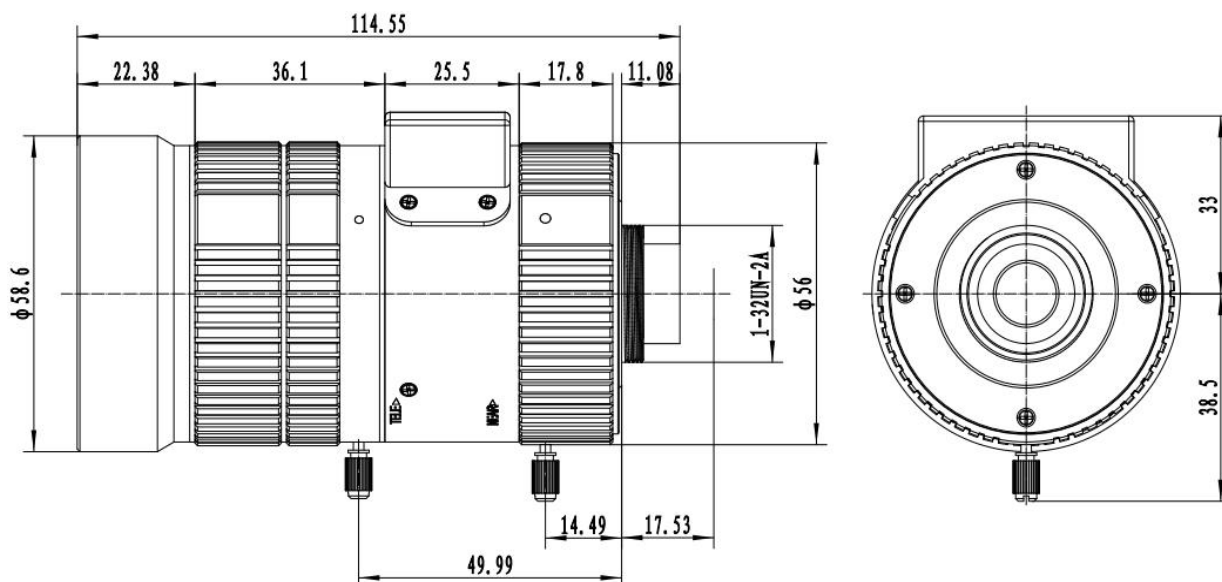


### 镜头参数 (Parameter of Lens)

型号 (Model) :	C-D1670IR (8MP)							
	分辨率 (Pixel)	8 MegaPixel						
	像面尺寸 (Image format)	1/1.7"						
	焦距 (Focal length)	16~70mm						
	通光孔径 (Aperture)	F1.4						
	接口 (Mount)	C						
	视场角 (Field Angle) D×H×V(°)	"/°	1/1.7 (4:3)		1/1.7 (17:9)		1/2	
			Wide	Tele	Wide	Tele	Wide	Tele
		D	33	7.8	30.6	7.3	28	6.7
		H	26	6.3	26.8	6.5	22.2	5.4
	V	19.2	4.7	13.8	3.4	16.5	4	
	畸变 (Optical Distortion)	-6.7~-0.1% (1/1.7")						
	主光束入射角 (CRA)	≤1.3° (W) ≤0.52° (T)						
	最近物距 (M. O. D.)	1.5m						
	外形尺寸 (Dimension)	φ58.6×114.55mm						
重量 (Weight)	465±5g							
镀膜波段 (Coating Range)	400-900nm							
法兰后焦距 (Flange BFL)	17.526mm							
光学后焦距 (BFL)	8.58~11.69mm (In air)							
机械后焦距 (MBF)	6.96~10.07mm (In air)							
日夜共焦 (IR Correction)	Yes							
操作方法 (Operation)	光圈 (Iris)	自动光圈 (DC)						
	聚焦 (Focus)	手动聚焦 (Manual)						
	变焦 (Zoom)	手动变焦 (Manual)						
工作温度 (Operating temperature)	-30°C~+70°C							

### 尺寸 (Size)



尺寸公差 Size tolerance (mm) :	0-10±0.05	10-30±0.10	30-120±0.20
角度公差 Angle tolerance	±2°		



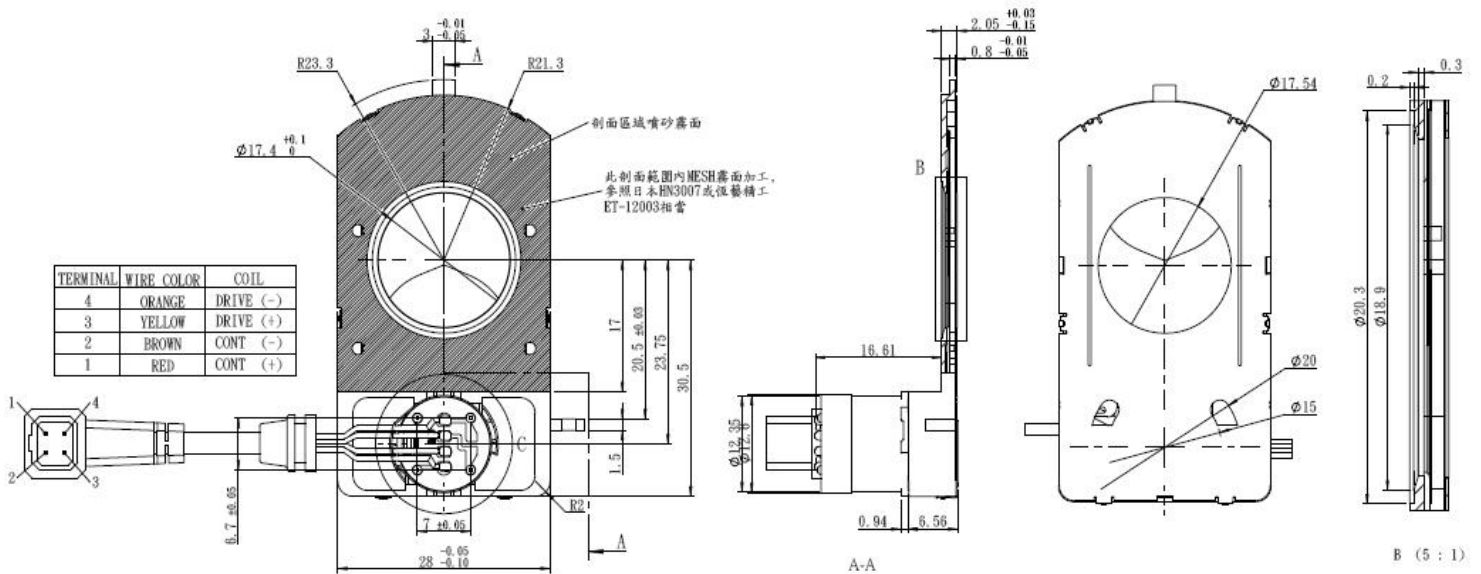
福建福特科光电股份有限公司

Foctek Photonics, Inc.

自动光圈 (Auto Iris)

型号 (Model) :

C-D1670IR(8MP)



Max. Image Circle		$\Phi 17.4$ mm	DC Resistance		Excite	$120 \Omega \pm 10\%$ , $20^\circ\text{C}$
Iris Wire	红 (red)	CONT+	Operating Voltage	Brake	$120 \Omega \pm 10\%$ , $20^\circ\text{C}$	
	棕 (brown)	CONT-		C→0	2.8V Max	
	黄 (yellow)	DRIVE+	0→C	0.5V Min		
	橙 (orange)	DRIVE-	Operating Parameters		Operating temperature	$-10^\circ\text{C} \sim +60^\circ\text{C}$
Dimension	See dimension drawing				Relative Humidity	90%

检测标准 (Test Standard )

型号 (Model) :

C-D1670IR (8MP)

检测项目 Test Items

检测内容 Test Content

1	逆投影 Resolution	Test Range	Φ8 (Projection distance: Wide 3m, Tele 5m)
		Center ≥	200 lp/mm
		Edge ≥	125 lp/mm
		Image standard	The image should be clear.
环境 Environment		25±2℃ Darkroom ≤1 lux	

2	外观 Appearance	Apperance (Inner barrel)	60-40: The maximum scratch width is allowed to be 0.06mm, the length allows the 1/4 edge position of the lens; the visually invisible fineness is negligible; the maximum diameter of the pip is allowed to be 0.2mm, and only one lens surface is allowed; the pip is smaller than 0.002mm~0.005m can be neglected; the film color is uniform; there is no obvious color spot on the surface.
		Apperance (Outer barrel)	The lens barrel has no obvious color difference, scratch, break, deformation; the glue is not allowed to overflow into the effective light path; no word drop, clear writing, the same font size, even spacing, etc.
		Rotation	Feel the rotation back and forth smoothly without jumping, stuck and abnormal sounds, etc

3	光驱 Auto Iris	Auto Iris Appearance	Optical drive line rubber band is not exposed; appearance of optical drive terminal No damage, no change, the length of the interface pointer is the same; The following phenomena are not allowed: virtual welding of fillet, false welding, even Interfaces fall off, structural parts are loose, deformed, etc.
		CD-ROM drive	The switch speed of the optical drive is slow and uniform, Must not be too fast, too slow or inactive;
		Optical drive sensitivity	Use the camera to confirm the sensitivity of the optical drive, Responsive and without delay;

环境 Environment		25±2℃ 700~1000 lux	
----------------	--	-----------------------	--



环境可靠性测试 (Reliability and Environmental Testing)

型号 (Model) :

C-D1670IR(8MP)

检测项目 Test Items

检测内容 Test Content

1

温度循环试验  
Temperature Cycling Test

镜头在试验温度 $(-30\pm 3)^{\circ}\text{C}$ 放置1.5小时,  $(70\pm 3)^{\circ}\text{C}$ 放置3小时的条件下, 放置2个循环。试验后, 将镜头放置于室温24小时后进行检验, 各指标均合格。

Lens is placed on two cycles in the test temperature  $(-30\pm 3)^{\circ}\text{C}$  for 1.5 hours and in  $(70\pm 3)^{\circ}\text{C}$  for 3 hours separately. Then, the indicators are qualified after placing the lens at room temperature for 24 hours.

2

高温高湿试验  
Damp heat test

镜头在试验温度 $(70\pm 3)^{\circ}\text{C}$ , 湿度85%RH的条件下, 放置48小时。试验后, 将镜头放置于室温24小时后进行检验, 各指标均合格。

Lens is placed in the test temperature  $(70\pm 3)^{\circ}\text{C}$ , humidity 85% RH for 48 hours. Then, the indicators are qualified after placing the lens at room temperature for 24 hours.

3

跌落试验  
Drop Test

镜头在1米高 $(\pm 0.1\text{米})$ 处, 自由跌落到混凝土地板上。试验后, 镜头各指标均合格。

Lens drops from the height of  $(1\pm 0.1\text{m})$  to the concrete ground. After the testing, the indicators are qualified.

4

振动试验  
Vibration Test

镜头正弦波振动2小时, 在振幅为1mm, 频率为50Hz的条件下, 试验后, 镜头各指标均合格。

Lens vibrates 2h in sinusoidal wave under 1 mm of amplitude and 50Hz of frequency. After the testing, the indicators are qualified.

## 包装规格 (Packing Specification)

型号 (Model) :

C-D1670IR(8MP)

1. Stick label on the surface of lens after capped.
2. Put the lens into the carton box.
3. The unit will be packaged in a corrugated box.
4. Seal the corrugated box with tape and mark the surface.

