

TG2Z1816AFCS

VARI FOCAL 2X 1.8~3.6mm F1.6

for 1/3" format cameras

CS-Mount

with Focus, with Amplifier

Model No.	TG2Z1816AFCS		Effective Lens Aperture	Front	φ 22.0mm
Focal Length	1.8 ~ 3.6mm		Back Focal Length	Rear	φ 7.9mm
Max. Aperture Ratio	1 : 1.6		Length	Tele	10.5mm
Max. Image Format	4.8 x 3.6mm (φ 6mm)			Wide	7.0mm
Operation Range	Iris	F1.6 ~ 360	Flange Back Length		12.5mm
	Focus	0.2m ~ Inf.	Mount		CS-Mount
	Zoom	1.8 ~ 3.6mm	Filter Size		-
Control	Iris	Auto Iris	Dimensions		φ 37.4 x 42.6 x 51.0mm
	Focus	Manual	Weight		83g
	Zoom	Manual			
Object Dimension at M.O.D.	1.8 mm	123.8 × 56.5cm			
	3.6 mm	33.2 × 22.9cm			
Angle of View	D	1/3"	1/4"	135.8~74.4°	
	H			109.5~59.6°	
	V			82.3~44.7°	
Supply Voltage	DC8 ~ 16V				
Current	Less than 35mA				
Response Time	Approx. 2 sec.				
Light Weighting Method	Adjustable between Average - Peak (to be set at Average at factory)				
Input Signal	Video Signal (V or VS)				
Iris Accuracy	± 15% at Video Signal Level				
Sensitivity Adjustment	0.5 ~ 1.0Vp-p (Video Signal)				
Input Impedance	High Impedance				
Operating Temperature	-20 ~ +50° C				

1/3

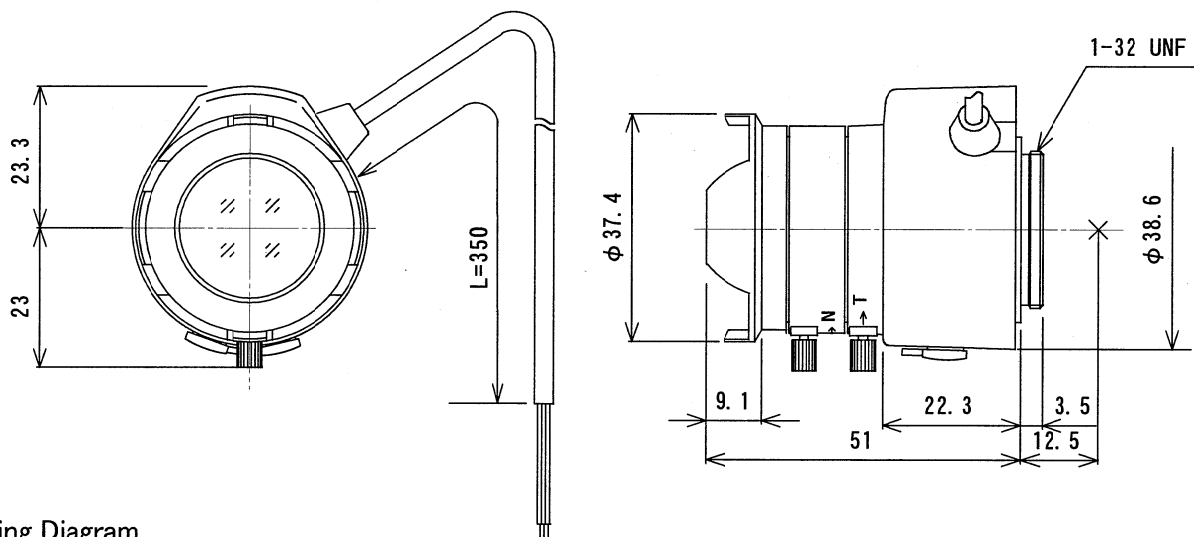
CS

AG

Z

M.O.D. : Minimum Object Distance

Dimensions



SP

Wiring Diagram

