

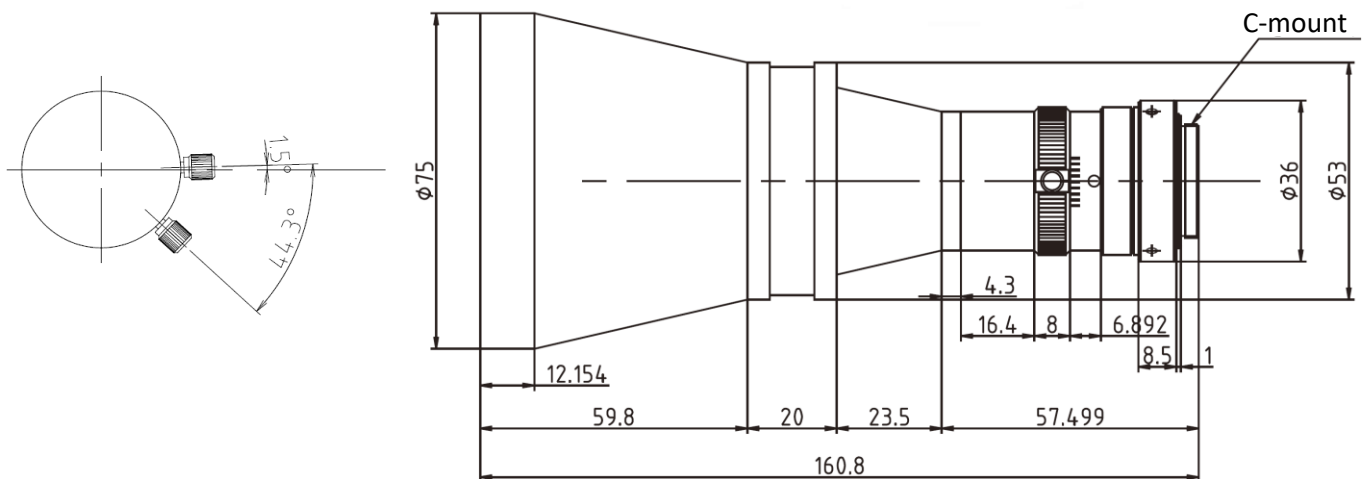
TEC-V0345165MPY-WI

Magnification 0.345X, WD165mm
for 1.1 inch type Cameras, 12 Megapixel Telecentric Lens
C-Mount, Straight type with Manual Iris

Model No.	TEC-V0345165MPY-WI		NA	0.0345
Magnification	0.345X	TV Distortion	1.1 type	-0.024%
Working Distance	165.2mm	Back Focal Length	28.375mm (Lens back)	
Effective F Number	5-32.4	Flange Back Length	17.526mm	
Max. Image Format	φ 17.6mm	Mount	C-Mount	
Control	Iris	Manual	Filter Size	M72 x P 0.75mm
	Focus	-		
Field of View	41.1mm(H) x 30.1mm(V) 1.1"		Dimensions	φ 75mm x 160.8mm
Resolving Power *1	9.7μm	Weight	380g	
Depth of Field *2	6.63mm	Operating Temperature	-10°C - +50°C	

*1:Theoretical resolution calculated with a wavelength of 550nm
 *2:Value calculated with a permissible circle of confusion of 40 μ m

Dimensions



Field of View	
1.1"	41.1x30.1mm
1"	38.3x25.2mm
2/3"	25.5x19.1mm
1/1.8"	20.9x15.4mm
1/2"	18.6x13.9mm