

HG3Z4512FCS

3X 4.5mm - 12.5mm F1.2
for 1/2" Format Cameras, Vari-focal Auto Iris DC Drive
CS-Mount

with Focus, w/o Amplifier

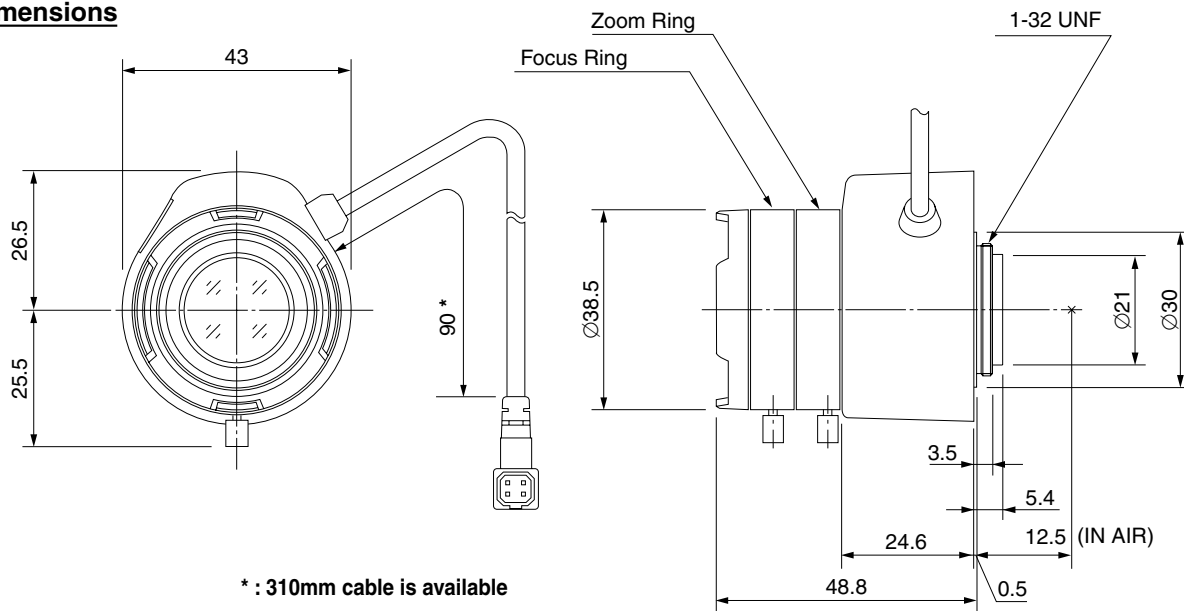
Model No.	HG3Z4512FCS		Effective	Front	Ø19.0mm		
Focal Length	4.5mm - 12.5mm		Lens Aperture	Rear	Ø10.3mm		
Max. Aperture Ratio	1:1.2		Back Focal	Tele	18.3mm		
Max. Image Format	6.4mm x 4.8mm(Ø8mm)		Length	Wide	9.9mm		
Operation Range	Iris	F1.2 - F360		Flange Back Length	12.5mm		
	Focus	0.3m - Inf.		Mount	CS-Mount		
	Zoom	4.5mm - 12.5mm		Filter Size	—		
Control	Iris	Auto Iris		Dimensions	Ø38.5mm x 48mm x 48.8mm		
	Focus	Manual		Weight	65g		
	Zoom	Manual					
Object Dimension at M.O.D.	4.5mm	51.8cm x 34.9cm					
	12.5mm	16.1cm x 12cm					
Angle of View	D	1/2"	103.0° - 37.4°	1/3"	76.2° - 28.2°	1/4"	56.5° - 21.2°
	H		81.6° - 30.0°		60.4° - 22.6°		44.9° - 10.6°
	V		60.4° - 22.6°		45.0° - 17.0°		60.4° - 12.7°
Coil	Drive	190Ω					
	Control	855Ω					
Operating Temperature	-20°C - +50°C						

1/2"

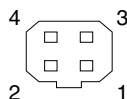
M.O.D : Minimum Object Distance

CS

Dimensions



Wiring Diagram



Pin No.

1	BROWN	Control (-)
2	RED	Control (+)
3	YELLOW	Drive (+)
4	ORANGE	Drive (-)