

# 4MP(QHD) Ultra High Resolution Camera

## BMH-S29Q

Motorized x3 Box Camera

**HD-SDI**  
**EX-SDI**

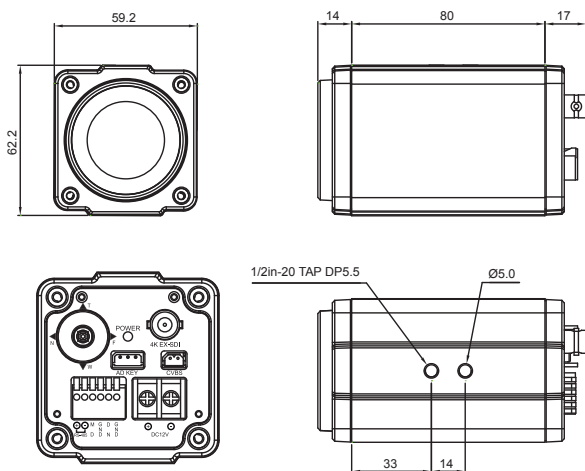


### Features

- 1/2" 6MP Sony STARVIS CMOS sensor
- HD-SDI, EX-SDI
- Built-in 2-Motor Lens(3.6mm~10mm)
- Digital Noise Reduction(2D+3D)
- Digital Slow Shutter
- Privacy Mask Function
- High Light Compensation
- Motion Detection
- Defog Function
- Day & Night

### Dimensions

Unit : mm



| MODEL                   |   | BMH-S29Q                |      |     |
|-------------------------|---|-------------------------|------|-----|
| <b>CAMERA</b>           |   |                         |      |     |
| Image Sensor            | 1/2" Sony STARVIS CMOS Sensor                     |                         |      |     |
| Total Pixels            | 3,096(H) x 2,094(V) = 6.48M Pixels                |                         |      |     |
| Active Pixels           | 3,089(H) x 1,744(V) = 5.39M Pixels                |                         |      |     |
| Video Format            | 1440p30(25)fps, 1080p30(25)fps, 720p30(25)fps     |                         |      |     |
| Min. Illumination       | Color   | 0.2 lux / DSS 0.02 lux  |      |     |
|                         | BW  | 0.05lux / DSS 0.005 lux |      |     |
| S/N Ratio               | more than 50dB (AGC off)                          |                         |      |     |
| Video Output            | HD-SDI, EX-SDI                                    |                         |      |     |
| <b>LENS</b>             |   | x3                      |      |     |
| Lens Type               | Day & Night Motorized Lens                        |                         |      |     |
| Zoom Ratio              | Optical x3, Digital x32 Zoom                      |                         |      |     |
| Focal Length            | f = 3.6mm ~ 10mm                                  |                         |      |     |
| Aperture Ratio          | F1.5 (wide) ~ F2.8 (tele)                         |                         |      |     |
| Angle Of View (D, H, V) | WIDE  | 122°                    | 103° | 56° |
|                         | TELE  | 52°                     | 44°  | 26° |
| <b>CAMERA FUNCTIONS</b> |   |                         |      |     |
| Camera Title            | ID / Title / Zoom Ratio / System Message          |                         |      |     |
| Day & Night             | Auto / Day / Night / Ext-in                       |                         |      |     |
| BLC                     | Off / On  |                         |      |     |
| ACE                     | Off / Manual(0~11 steps)                          |                         |      |     |
| DNR                     | Off / 2D / 3D / 2D+3D(Auto / Low / Middle / High) |                         |      |     |
| Defog                   | Off / Manual(0~11 steps)                          |                         |      |     |
| HLC                     | Off / On  |                         |      |     |
| Motion Detection        | Off / On (4 positions)                            |                         |      |     |
| Privacy Mask            | Off / On (8 positions)                            |                         |      |     |
| Digital Slow Shutter    | Off / x2 / x4 / x8 / x16 / x32                    |                         |      |     |
| Gain Control            | Off / On (Analog 0dB~27dB, Digital 0X~33X)        |                         |      |     |
| White Balance           | Auto / One Push / Manual / Indoor / Outdoor       |                         |      |     |
| Shutter Speed           | 1/30(25) ~ 1/10,000 sec                           |                         |      |     |
| E.Zoom                  | Off / On(x0.0~x6.0)                               |                         |      |     |
| Digital Flip            | Off / H / V / H&V                                 |                         |      |     |
| <b>GENERAL</b>          |   |                         |      |     |
| Power Source            | DC12V±10%   |                         |      |     |
| Power Consumption       | Max 360mA   |                         |      |     |
| Operating Temperature   | -10°C ~ +50°C / 0% ~ 90% RH                       |                         |      |     |
| Dimensions              | 59.2(W) x 62.2(H) x 111(D) mm                     |                         |      |     |
| Weight                  | 0.36Kg  |                         |      |     |