

# BMH7010-10

2M pixel x10 AF HD-SDI Box Camera



The BMH7010-10 zoom camera delivers full HD(1080 30p) performance with a 10x optical lens.

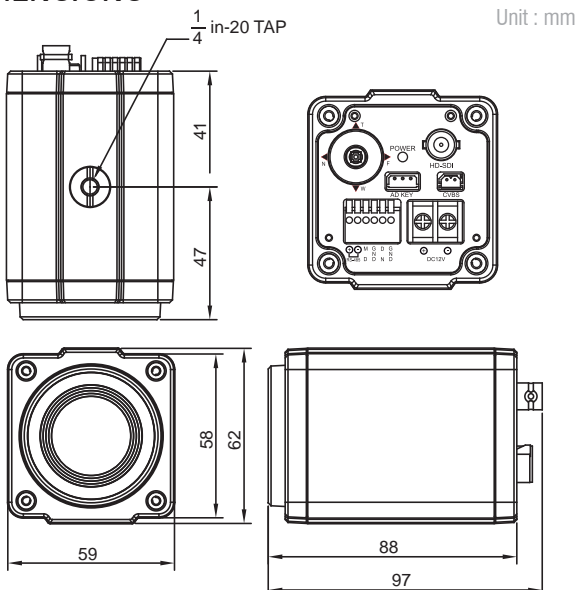
## FEATURES

- 1/2.8" 2nd Generation Panasonic CMOS sensor
- Total Number of Pixel: 1956(H) x 1266(v) app 2.5 mega pixels
- 10x Optical Zoom (5.1~51mm) & 32x Digital Zoom
- Day & Night (ICR)
- WDR (Wide Dynamic Range)
- DNR (Digital Noise Reduction: 2D + 3D)
- Privacy Mask Function
- Intelligent Motion Detection
- Defog Function: Defogging foggy video image
- Supports VISCA, Pelco-D/P Protocol
- Video Out: HD-SDI, CVBS

## FOV

D : WIDE 68°± 5% TELE 6.7°± 5%  
 H : WIDE 54°± 5% TELE 4.9°± 5%  
 V : WIDE 31°± 5% TELE 4°± 5%

## DIMENSIONS



## SPECIFICATIONS

BMH7010-10	
Image Sensor	1/2.8" 2 <sup>nd</sup> Generation Panasonic CMOS Sensor
Total Pixels	1,956(H) x 1,266(V), 2.5M Pixels
Active pixels	1,944(H) x 1,213(V), 2.35M Pixels
Scanning system	Progressive Scan
Sync. System	Internal
Resolution	Digital ; 1920x1080p(1080p/30fps) , 1280x720p(720p/60fps) Analog : 700TVL
Min. illumination	Color : 0.5 lux , BW : 0.1lux Color DSS : 0.002 lux , BW DSS : 0.001 lux
Video Output	HD : Digital(HD-SDI) Analog SD : CVBS(without WDR)
S/N Ratio	more than 50dB (AGC off)
Lens type	X10 Day & Night Zoom Lens
Zoom Ratio	Optical x10, Digital x32 Zoom
Focal Length	f = 5.1 mm ~ 51 mm
Aperture Ratio	F1.6 (wide) ~ F1.8 (tele)
E.zoom	Off / x2 ~ x32
Exposure	Auto / Manual
Gain control	Off / On (Auto max.30dB)
Shutter speed	1/30(1/25) ~ 1/30,000
Digital Shutter Speed	Off / x2 ~ x4
Brightness	1 ~ 15 steps
Output format	1080p / 720p
Frequency	60Hz / 50Hz
WDR	Off / On
BLC	Off / On
HLC	Off / On
Day & Night	Auto / Day / Night / Ext.
White Balance	ATW / Preset / Indoor / Outdoor / Manual
DNR	Off / Auto / Low / Middle / High
Privacy Mask	Off / 32 positions
Motion Detection	Off / 4 positions
Defog	Off On
Mirror	Off / H / V / H+V
Sharpness	Off / On
Shading	Off / On
Smart IR	Off / On
Defect compensation	Off / On
Pattern Generation	Off / On
CVBS output	Off / On
Power source	DC 12V ± 10%
Power consumption	Max 500mA
Operating Temperature	-10°C ~ 50°C
Storage Temperature	-20°C ~ 60°C

\*Design and specifications are subject to be changed without notice.