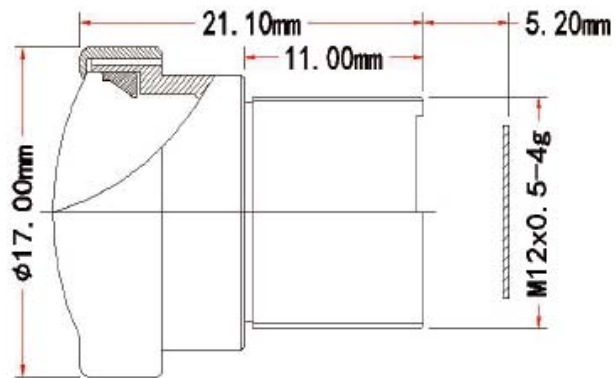


产品技术规格书 (Product Technical Specification)

No.	名称 (Name)	规格 (Specification)	No.	名称 (Name)	规格 (Specification)
1	型号 (Model)	AZURE-IR2517B5M	8	光圈 (Iris Type)	Fixed
2	靶面尺寸 (Sensing Area)	2/3"	9	对焦范围 (Focus Extent)	0.5m~
3	分辨率 (Resolution)	5MP	10	视场角 F.O.V.(D×V×H)	24.7° × 15.0° × 19.9°
4	焦距 (Focal Length)	25mm	11	畸变 (Distortion)	<-2.5%
5	后截距 (Back Focus)	5.20mm	12	尺寸 (Dimension)	∅17×21.10
6	F值 (F/ No.)	1.7	13	重量 (Weight)	8.1g
7	接口 (Mount)	M12×0.5			

Size:



Unit:mm

Draw	Check	Recheck	Approval	福建浩蓝光电有限公司 AZURE Photonics Co.,Ltd